



ADA Plumbing Kit

SKU: 570dp925-1

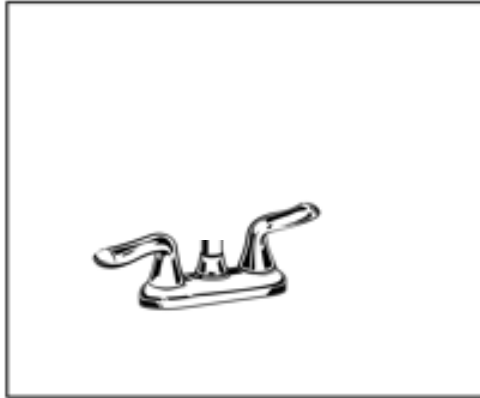


Our ADA plumbing kit features everything you need to get your ADA compliant tub installed as quick as possible.

- American Standard ADA COMPLIANT 4" on-center (2) handle chrome faucet.
- Vacuum breaker*
- Delta ADA Compliant Spray head.
- 3½" Premium Brass Basket strainer/hair trap.
- 1½" white PVC "P" trap with (3) wing nuts. Includes a stainless steel holder to hang the heavy duty spray head on.
- Groomers Best Recommends using Flexible Stainless Steel Hoses to connect to the faucet from your water source
- Designed for use with all Groomer's Best Tubs



American Standard

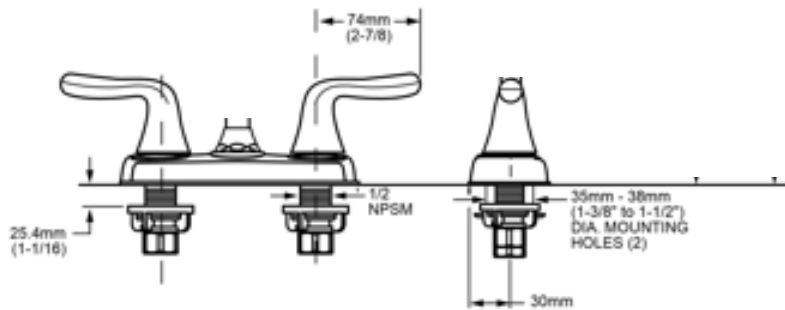


COLONY SOFT

TWO-HANDLE CENTERSET
BAR SINK FAUCET
WITH BRASS GOOSENECK SPOUT

MODEL NUMBER:

- 2475.500 Centerset Bar Sink Faucet
Metal Lever handles.



GENERAL DESCRIPTION:

Durable brass construction. 1/4 turn ~~washless~~ ceramic disc valve cartridges. One-half inch male inlet shanks with brass coupling nuts. Brass gooseneck swing spout. 2.2gpm/8.3L/min. maximum flow rate.

(1-1/4)

PRODUCT FEATURES:

Solid Brass Construction: Durable. Ideal for prolonged contact with water.

Ceramic Disc Valve Cartridges: Assures a lifetime of drip-free performance.

SUGGESTED SPECIFICATION:

Low Lead: Meets NSF Standard 61/Section 9 & Prop 65 lead requirements.

Choice of Finishes: Available in Polished Chrome or PVD Polished Brass.

Centerset bar sink faucet shall be cast brass construction with all brass coupling nuts. Shall also feature 1/4 turn washerless ceramic disc valve cartridges. Fitting shall be American Standard Model # 2475.500.

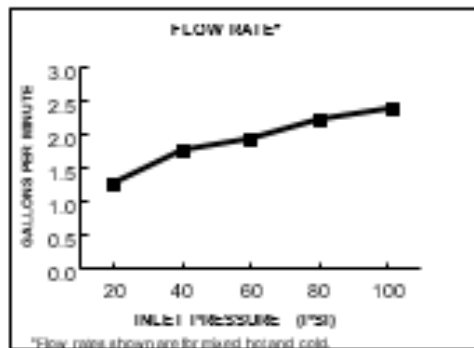
American Standard

COLONY SOFT
TWO-HANDLE CENTERSET
BAR SINK FAUCET
WITH BRASS GOOSENECK SPOUT


CODES AND STANDARDS

These products meet or exceed the following codes and standards:

- ANSI A117.1
- ASME A112.18.1
- CSA B 125
- NSF 61/Section 9

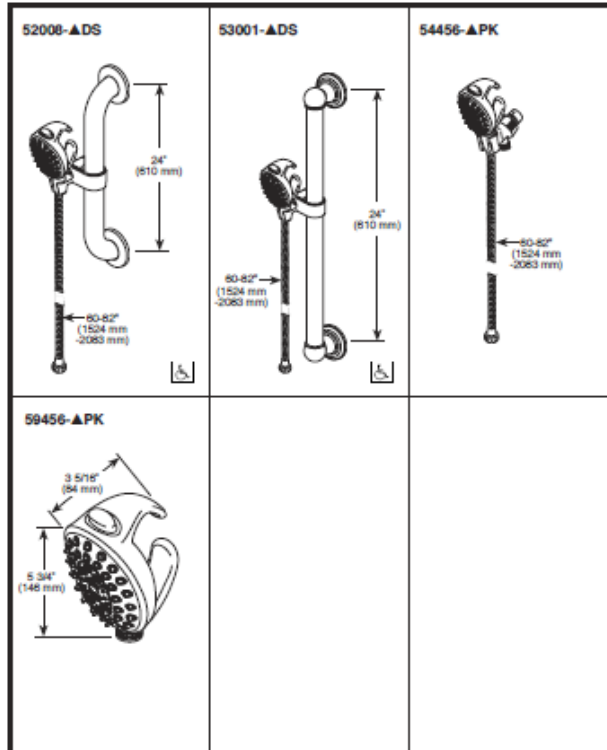


Product Number	Description	Finish Options	
		Polished Chrome	PVD Polished Brass
		002	099
2475.500	Bar Sink faucet. Metal lever handles.		

 Meets the American Disabilities Act Guidelines and ANSI A117.1 Requirements for the physically challenged.

Submitted Model No.: _____

Specific Features: _____



▲ Designate proper finish suffix



PALM[®] SHOWER

- Push Button Selection
- 60-82" Stretchable Metal Hose

STANDARD SPECIFICATIONS:

- Change spray modes with pushbutton.
- 60-82" stretchable hose: 53001, 52008, 54456.
- Includes double check valves for backflow prevention.
- ADA compliant grab bar with concealed screw mounting system: 53001, 52008.
- Maximum 2.50 gpm @ 80 psi, 9.5 L/min @ 550 kPa

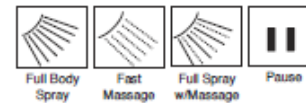
WARRANTY

- Lifetime limited warranty on parts (other than electronic parts and batteries) and finishes; or, for commercial users, for 5 years from date of purchase.
- 5 year limited warranty on electronic parts (other than batteries); or, for commercial users, for 1 year from the date of purchase. No warranty is provided on batteries.

COMPLIES WITH:

- ASME A112.18.1 / CSA B125.1
- ◆ Indicates compliance to ICC/ANSI A117.

Spray Patterns



- ◆ Your Delta Faucet handshower incorporates a backflow protection system that has been tested to be in compliance with ASME A112.18.3 and ASME A112.18.1/CSA B125.1. It incorporates two certified check valves in series, which operate independently and are integral, non-serviceable parts of the wand assembly.

Delta reserves the right (1) to make changes in specifications and materials, and (2) to change or discontinue models, both without notice or obligation. Dimensions are for reference only. See current full-line price book or www.deltafaucet.com for finish options and product availability.

D8P-S-52008-DS Rev. B



55 E. 111th Street, Indianapolis, Indiana 46290
 350 South Edgewood Road, St. Thomas, ON N5P 4L1
 © 2015 Masco Corporation of Indiana