

ParkTastic

Manufactured For:



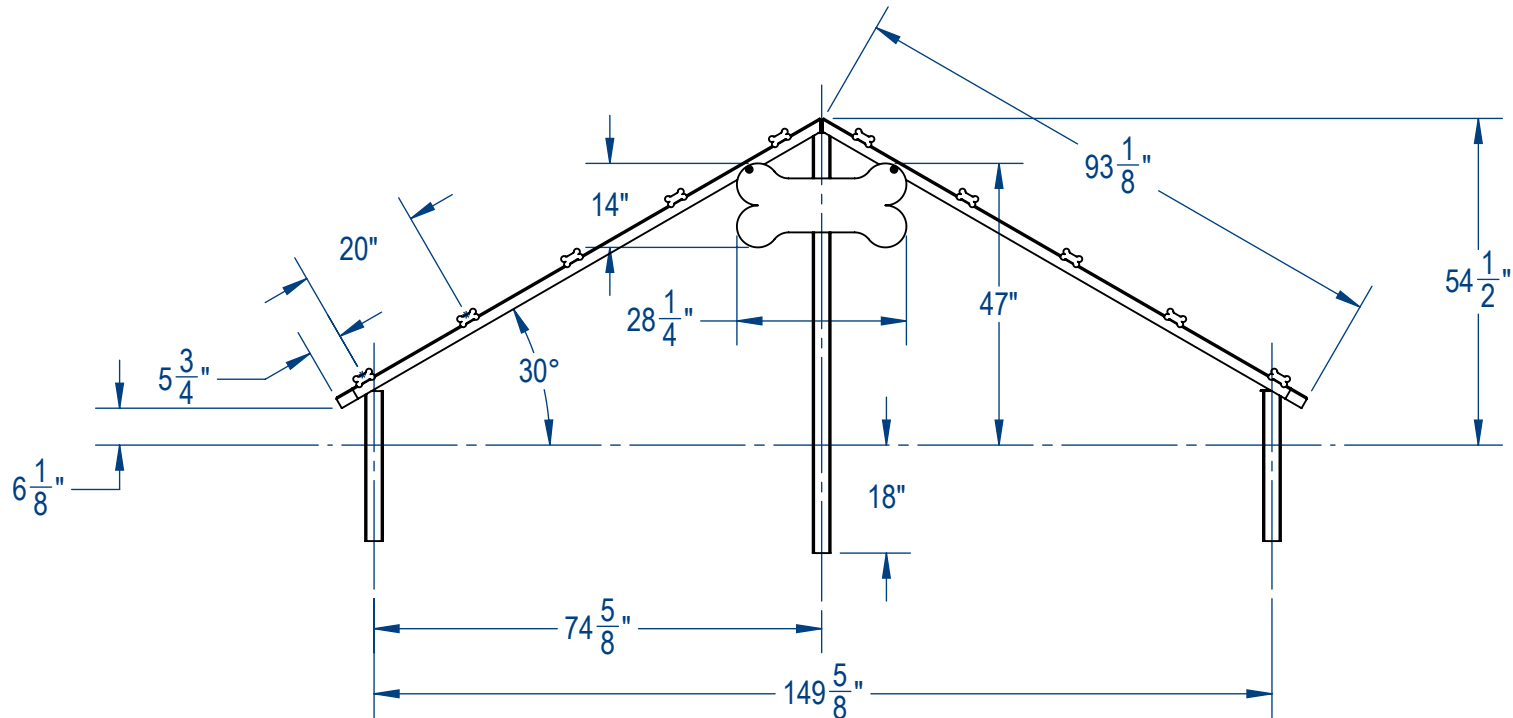
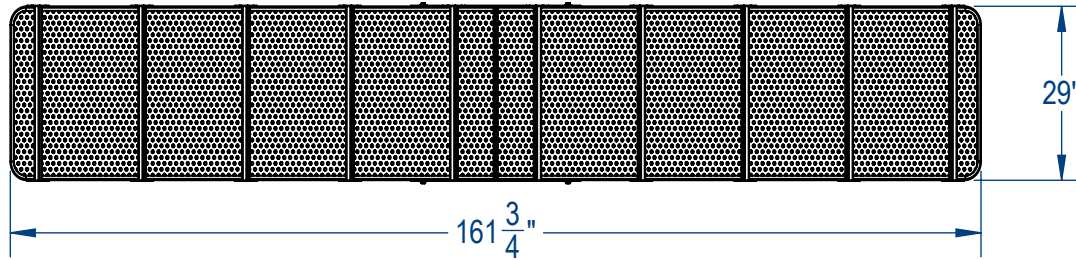
PROPRIETARY AND CONFIDENTIAL

THE INFORMATION CONTAINED IN THIS DRAWING IS THE SOLE PROPERTY OF Park Warehouse, LLC. 5301 North Federal Highway, Suite 140, Boca Raton, FL. ANY REPRODUCTION IN PART OR AS A WHOLE WITHOUT THE WRITTEN PERMISSION OF Park Warehouse, LLC. 5301 North Federal Highway, Suite 140, Boca Raton, FL. IS PROHIBITED.

	NAME	DATE
DRAWN	GM	12/7/2016
SALES APPR.		
CLIENT APPR.		
MFG APPR.		
Q.A.		

Design By -
CADWorksPro
 Chicago, IL
www.cadworkspro.com

ParkTastic		
TITLE: Dog Climb		
SIZE A	DWG. NO. 766dp140	REV
WEIGHT:		SHEET 1 OF 2



	NAME	DATE
DRAWN	GM	12/7/2016
SALES APPR.		
CLIENT APPR.		
MFG APPR.		
Q.A.		

Design By -

CADWorksPro
Chicago, IL

www.cadworkspro.com

AAdvantage Panels & Fence, Inc.

TITLE:

Dog Climb
Dimensional Specs

SIZE	DWG. NO.	REV
A	?????	

WEIGHT:

SHEET 2 OF 2



Mfg. by Advantage Panels & Fence, Inc.

Mytcoat

Commercial Outdoor Furniture

www.mytcoat.com

PROPRIETARY AND CONFIDENTIAL

THE INFORMATION CONTAINED IN THIS DRAWING IS THE SOLE PROPERTY OF Advantage Panels & Fence, Inc. PO Box 1790 Whitney, TX. ANY REPRODUCTION IN PART OR AS A WHOLE WITHOUT THE WRITTEN PERMISSION OF Advantage Panels & Fence, Inc. PO Box 1790 Whitney, TX. IS PROHIBITED.