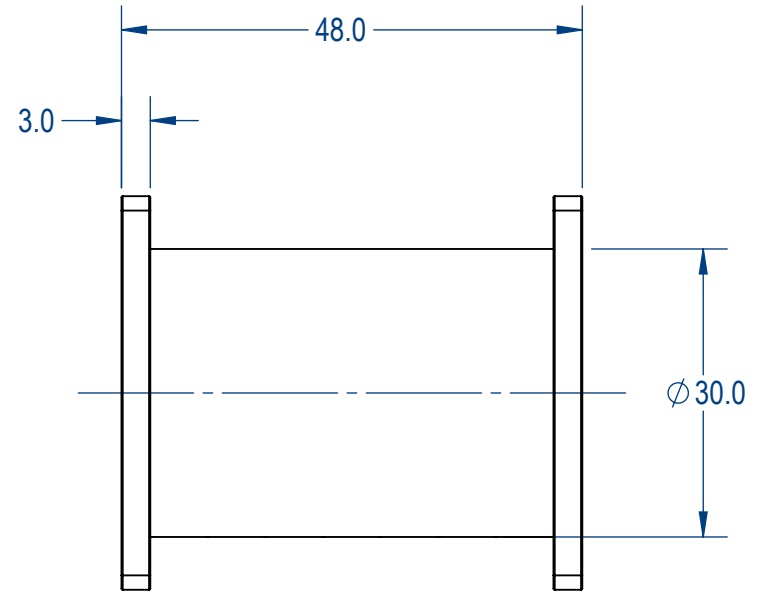
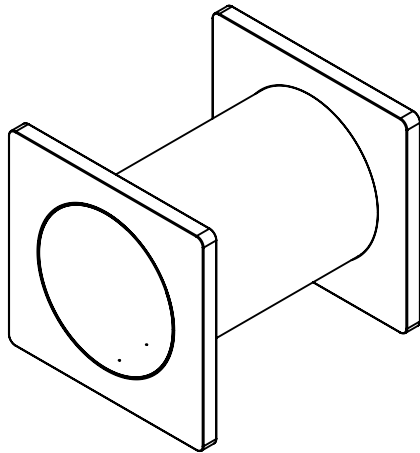


FRONT



SIDE



ParkTastic

Manufactured For:

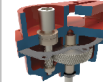


PROPRIETARY AND CONFIDENTIAL

THE INFORMATION CONTAINED IN THIS DRAWING IS THE SOLE PROPERTY OF Park Warehouse, LLC. 5301 North Federal Highway, Suite 140, Boca Raton, FL. ANY REPRODUCTION IN PART OR AS A WHOLE WITHOUT THE WRITTEN PERMISSION OF Park Warehouse, LLC. 5301 North Federal Highway, Suite 140, Boca Raton, FL. IS PROHIBITED.

	NAME	DATE
DRAWN	GM	8/14/2017
SALES APPR.		
CLIENT APPR.		
MFG APPR.		
Q.A.		

Design By -



CADWorksPro
 design studio

gilm@cadworkspro.com
 1147 Brook Forest Ave | Suite 228 | Shorewood, IL 60404

ParkTastic

TITLE:

Dog Crawl

SIZE	DWG. NO.	REV
A	766dp130	

WEIGHT:

SHEET 1 OF 1