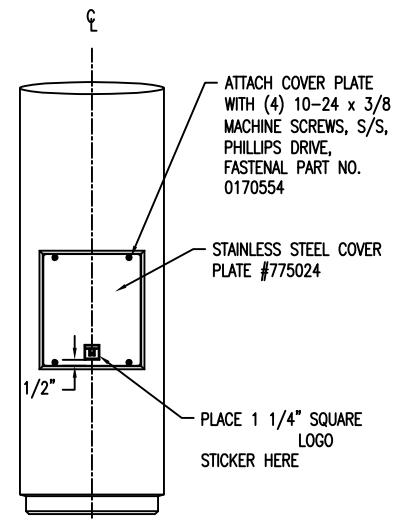
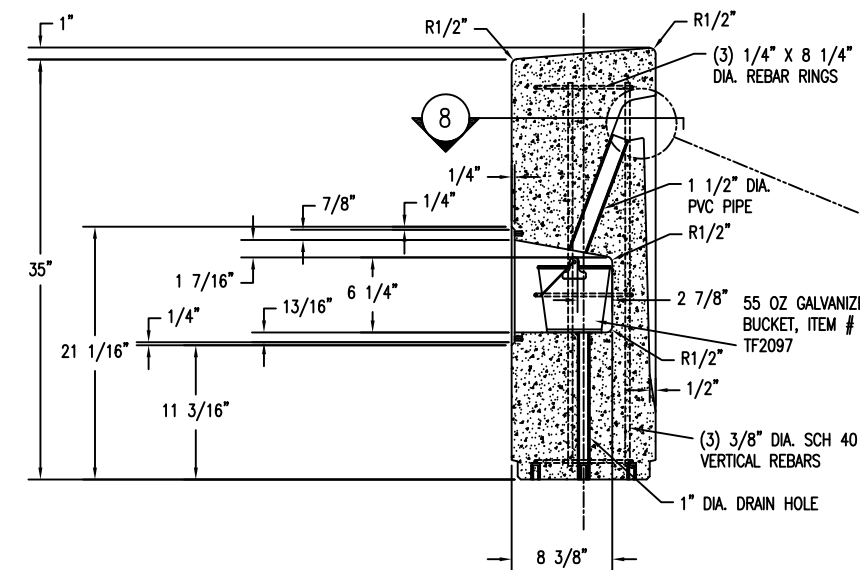


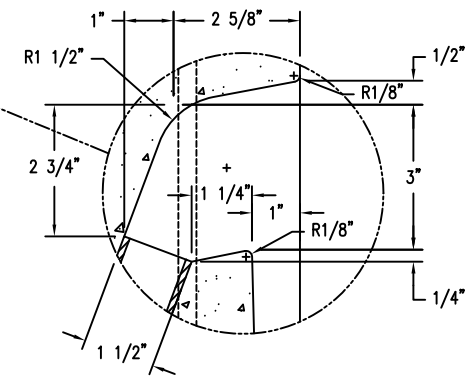
1 TOP VIEW  
Scale: 1/8" = 1"



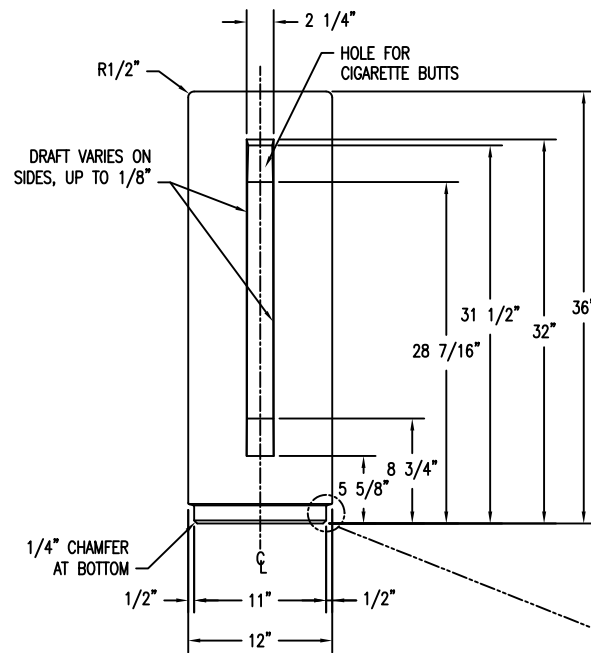
4 BACK ELEVATION  
Scale: 1/8" = 1"



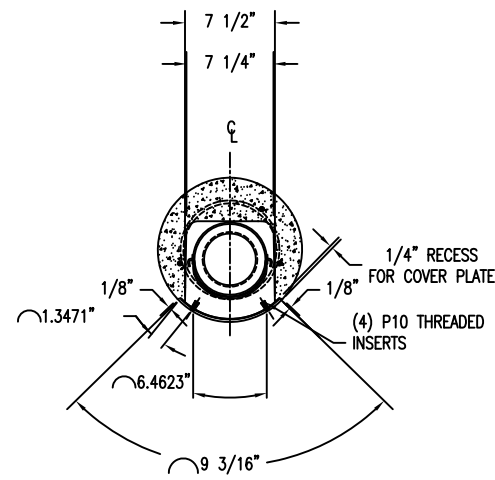
7 CROSS SECTION  
Scale: 1/8" = 1"



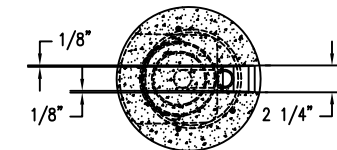
B DETAIL OF RECESSED HOLE  
Scale: 1/2" = 1"



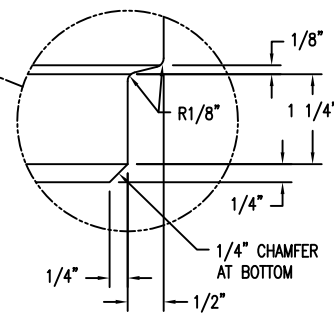
2 FRONT ELEVATION  
Scale: 1/8" = 1"



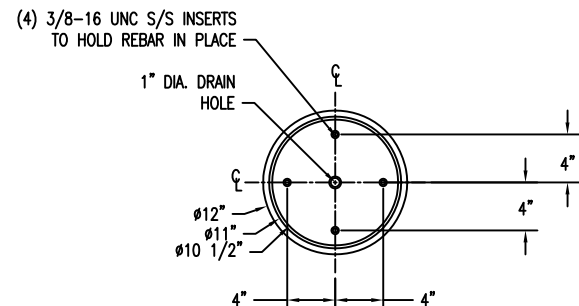
5 CROSS SECTION AT ASH CLEAN OUT  
Scale: 1/8" = 1"



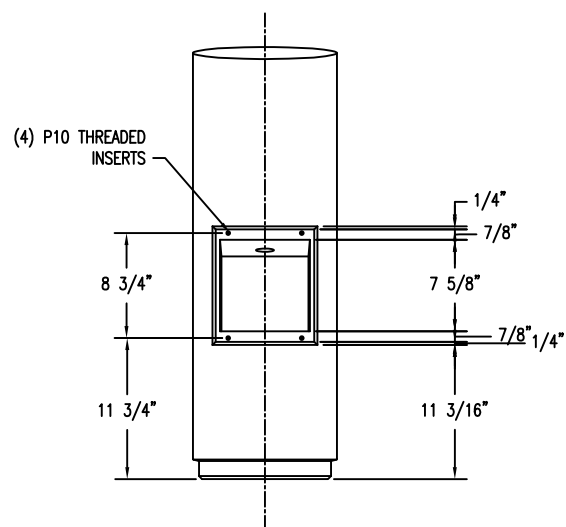
8 CROSS SECTION  
Scale: 1/8" = 1"



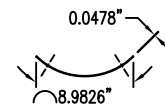
A TOE KICK DETAIL  
Scale: 3/4" = 1"



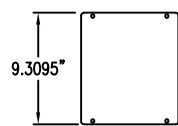
3 BOTTOM VIEW  
Scale: 1/8" = 1"



6 BACK ELEVATION OF ASH CLEAN OUT  
Scale: 1/8" = 1"



C CROSS SECTION OF COVER PLATE #775024  
Scale: 1/8" = 1"



D ELEVATION VIEW OF COVER PLATE #775024  
Scale: 1/8" = 1"

PARTS SCHEDULE FOR WS-150			
ITEM NO.	DESCRIPTION	PART NUMBER	QTY.
1	CONCRETE SNUFFER	WS-150	1
2	3/8"-16 UNC S.S THREADED INSERTS	RM-10036	4
3	1 1/2" DIA. PVC PIPE		1
4	1" DIA. PVC PIPE FOR DRAIN		1
5	STAINLESS STEEL ACCESS PANEL COVER	775024	1
6	MACHINE SCREWS 10-24 X 3/8" S/S TRUSS HEAD, PHILLIPS DRIVE, FASTENAL PART NO. 0170554	0170554	4
7	BUCKET, 55 OZ GALVANIZED	TF2097	1
8	1/4" REBAR RINGS, 8 1/4 O.D.		3
9	3/8" SCHEDULE 40 REBAR, VERTICALS		3



**PROPRIETARY AND CONFIDENTIAL**  
THE INFORMATION CONTAINED IN THIS DRAWING IS THE SOLE PROPERTY OF Park Warehouse, LLC. 5301 North Federal Highway, Suite 140, Boca Raton, FL. ANY REPRODUCTION IN PART OR AS A WHOLE WITHOUT THE WRITTEN PERMISSION OF Park Warehouse, LLC. 5301 North Federal Highway, Suite 140, Boca Raton, FL. IS PROHIBITED.