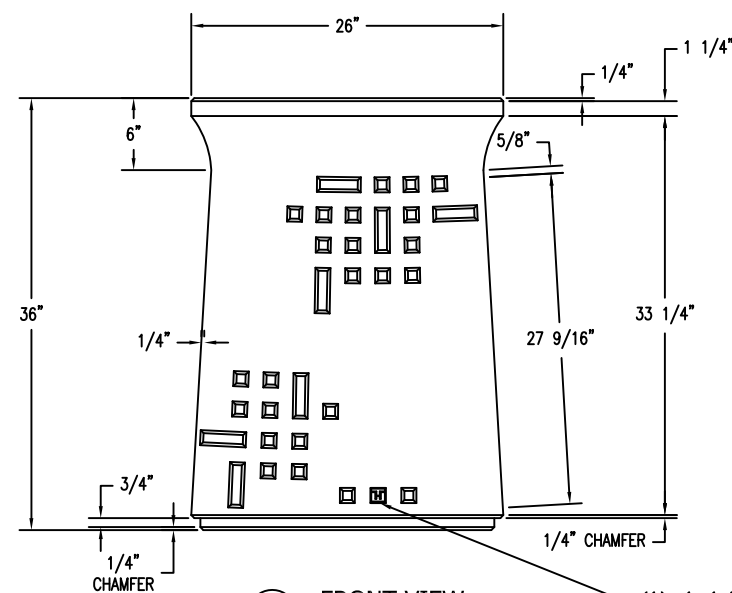
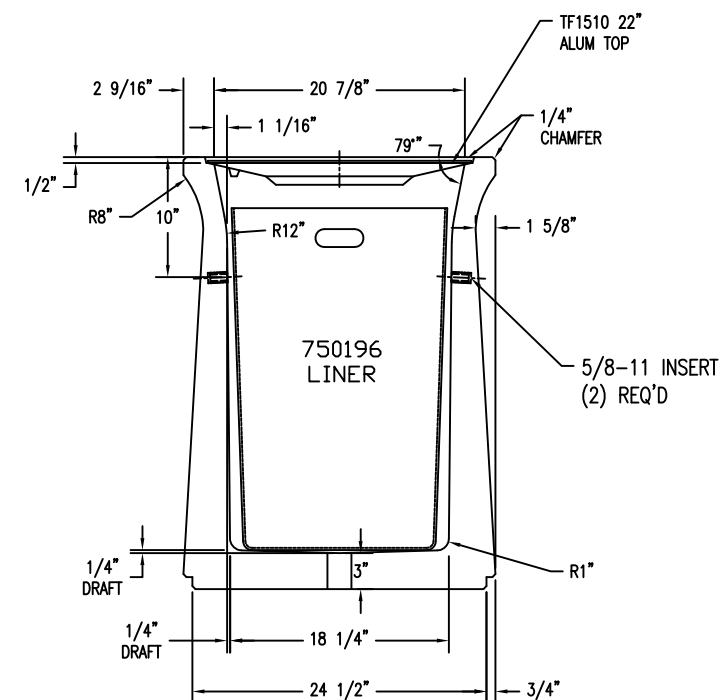


3 TOP VIEW
Scale: 1/8" = 1"

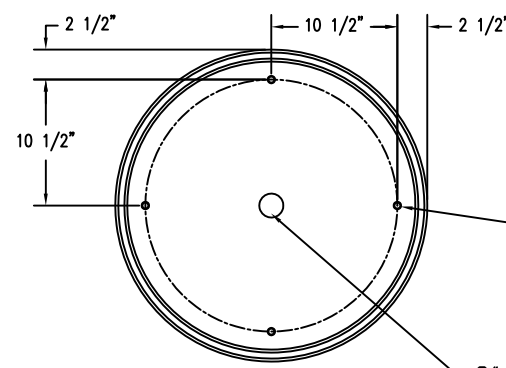


1 FRONT VIEW
Scale: 1/8" = 1"

(1) 1 1/4" SQUARE, ALUMINUM PLATE WITH STICKER. SILICONE PLATE INTO ONE OF THE BOTTOM SQUARES.



4 SECTION VIEW
Scale: 1/8" = 1"



2 BOTTOM VIEW
Scale: 1/8" = 1"

(4) 1/2-13 UNC S/S INSERTS EQUALLY SPACED ON A 21" DIA. CIRCLE

2" DRAIN HOLE