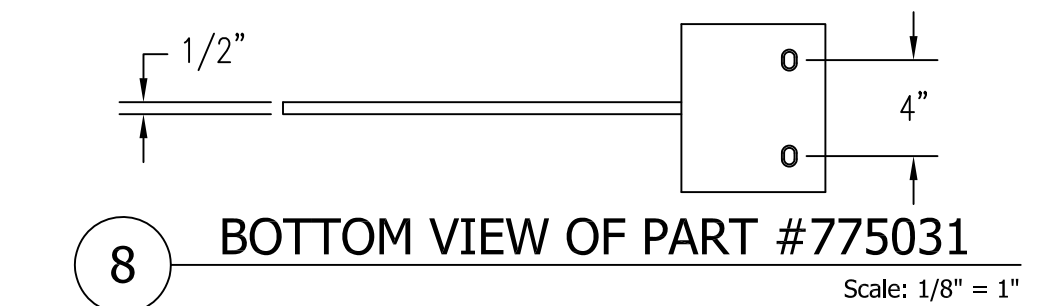
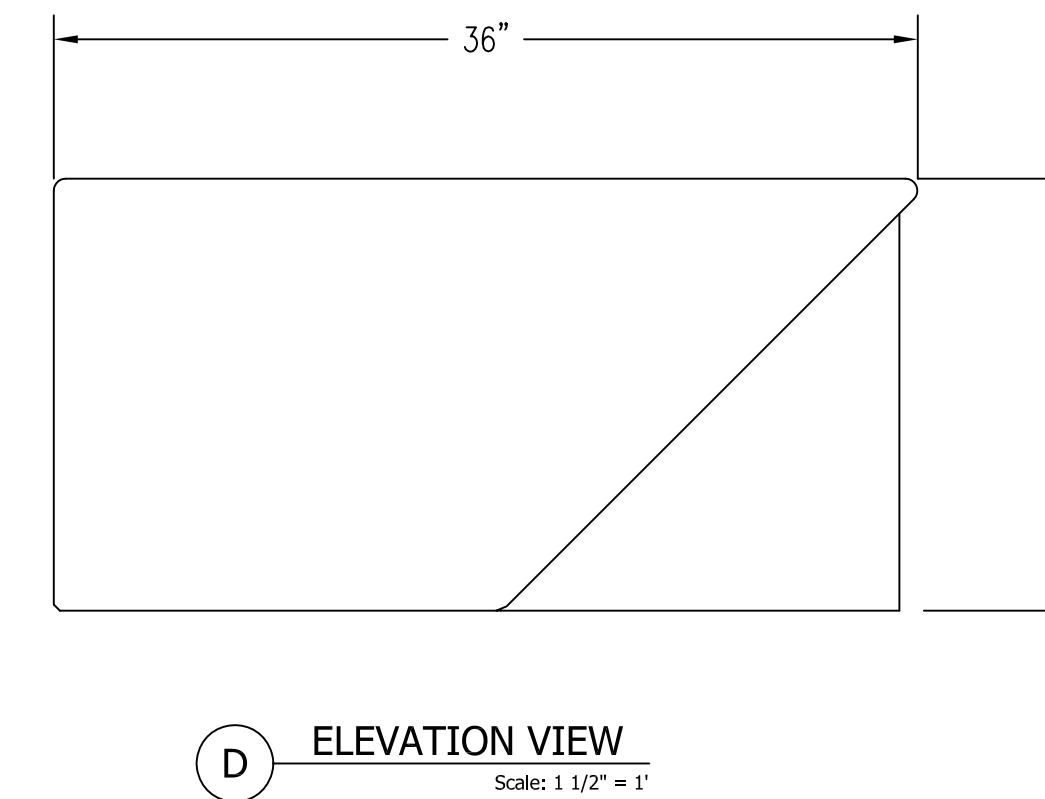
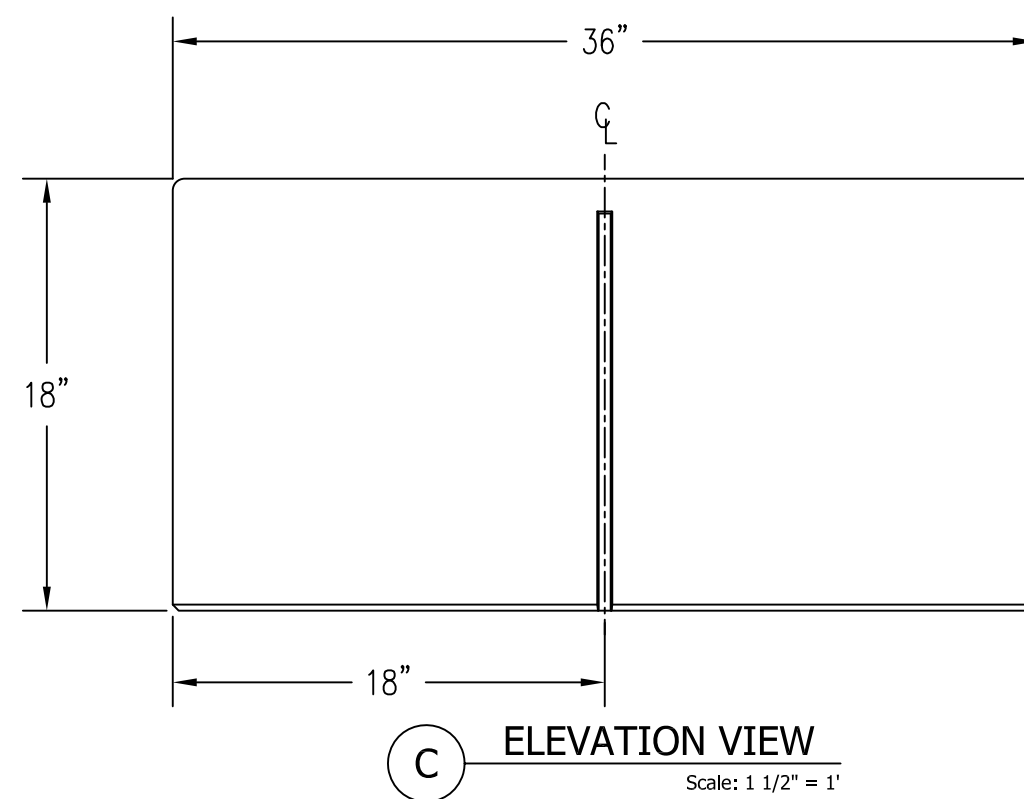
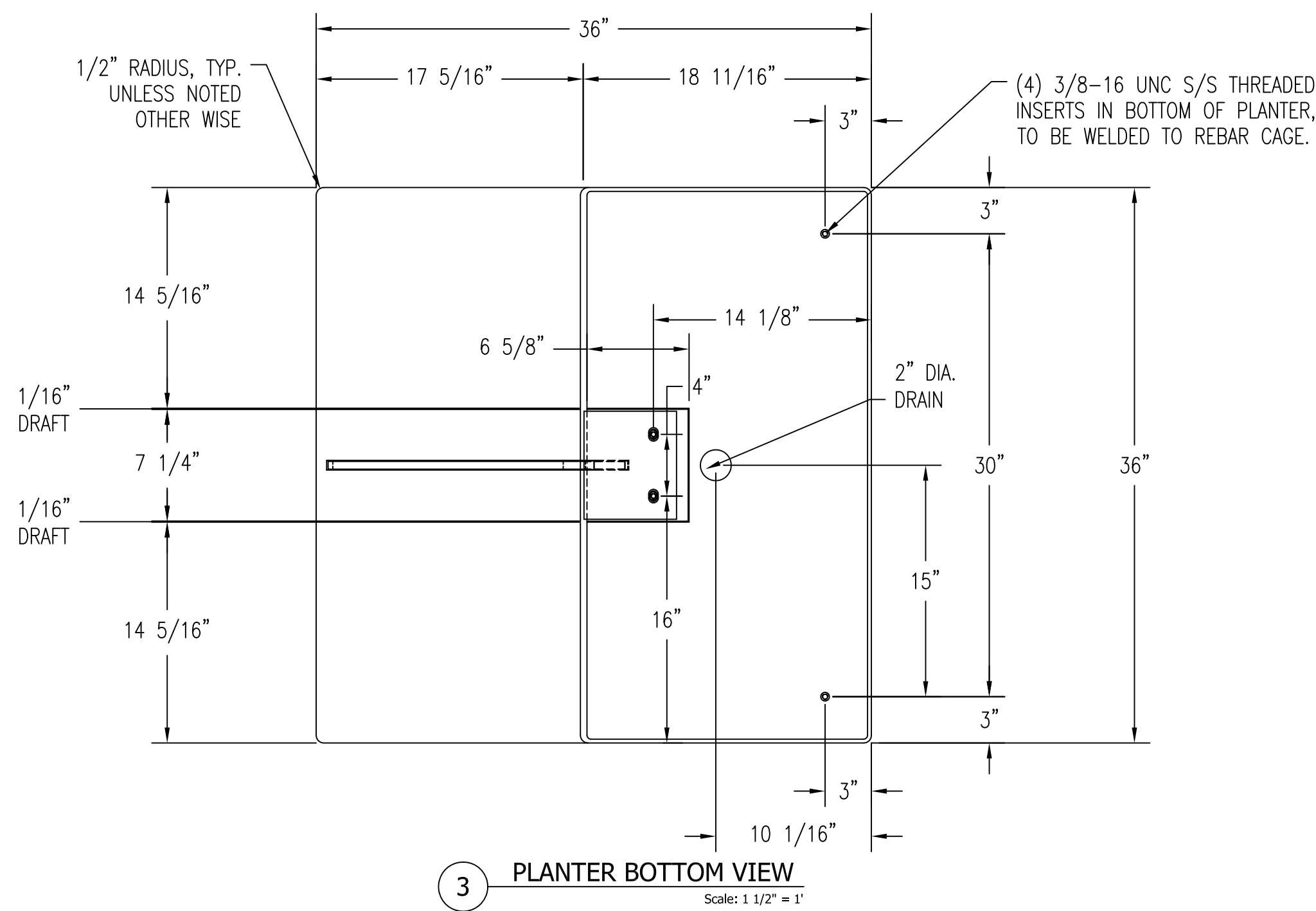
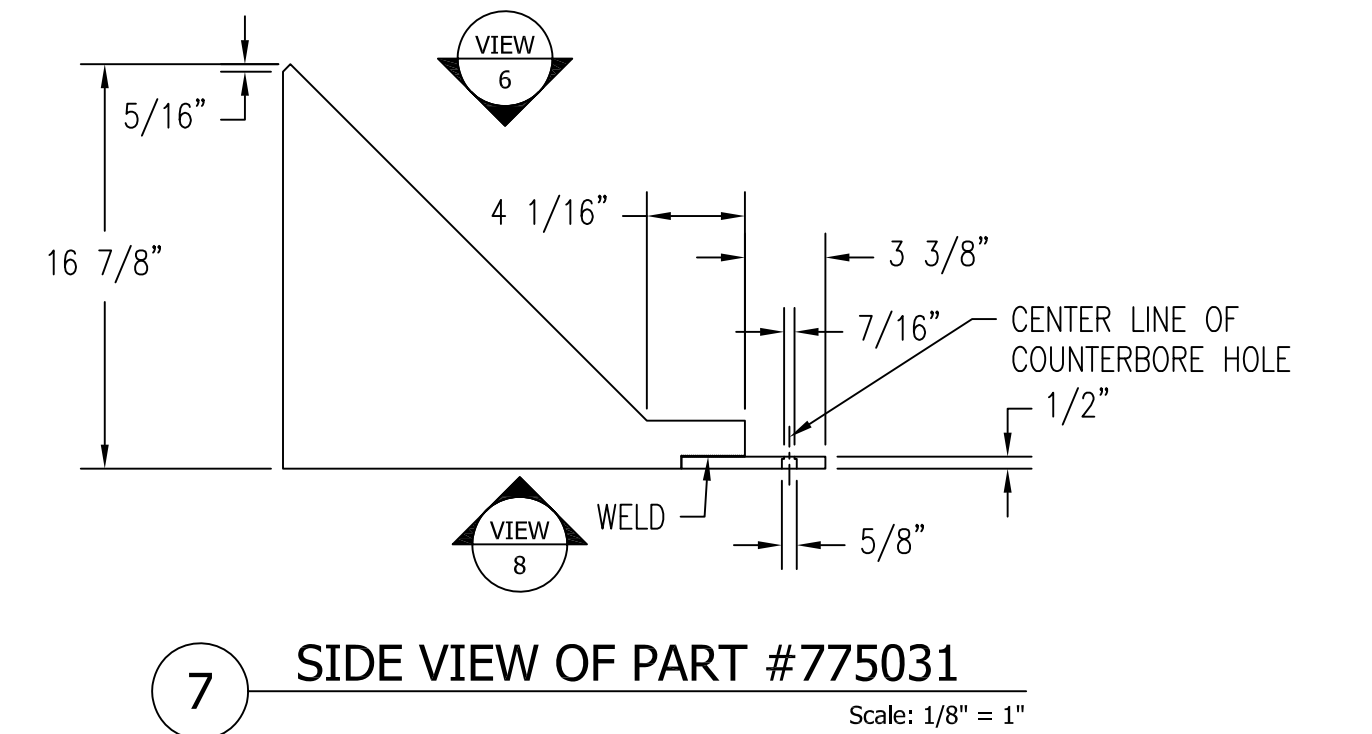
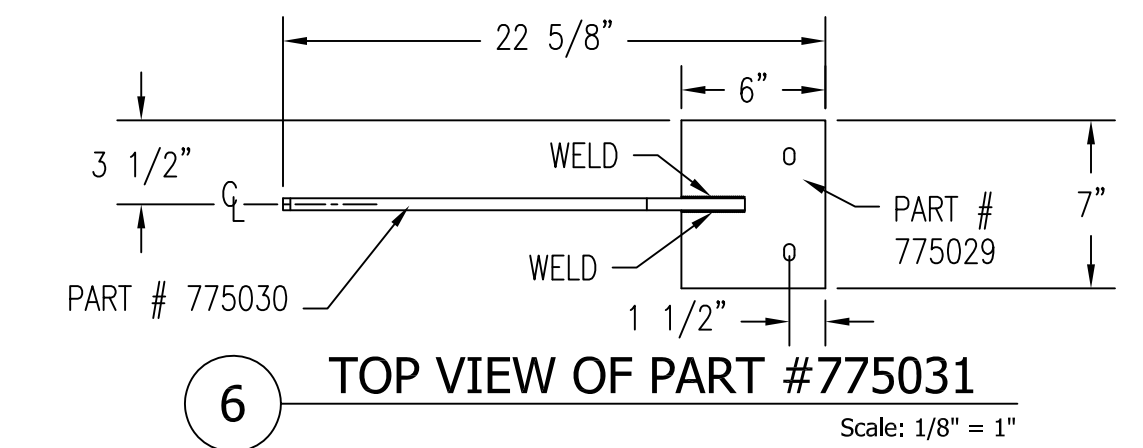
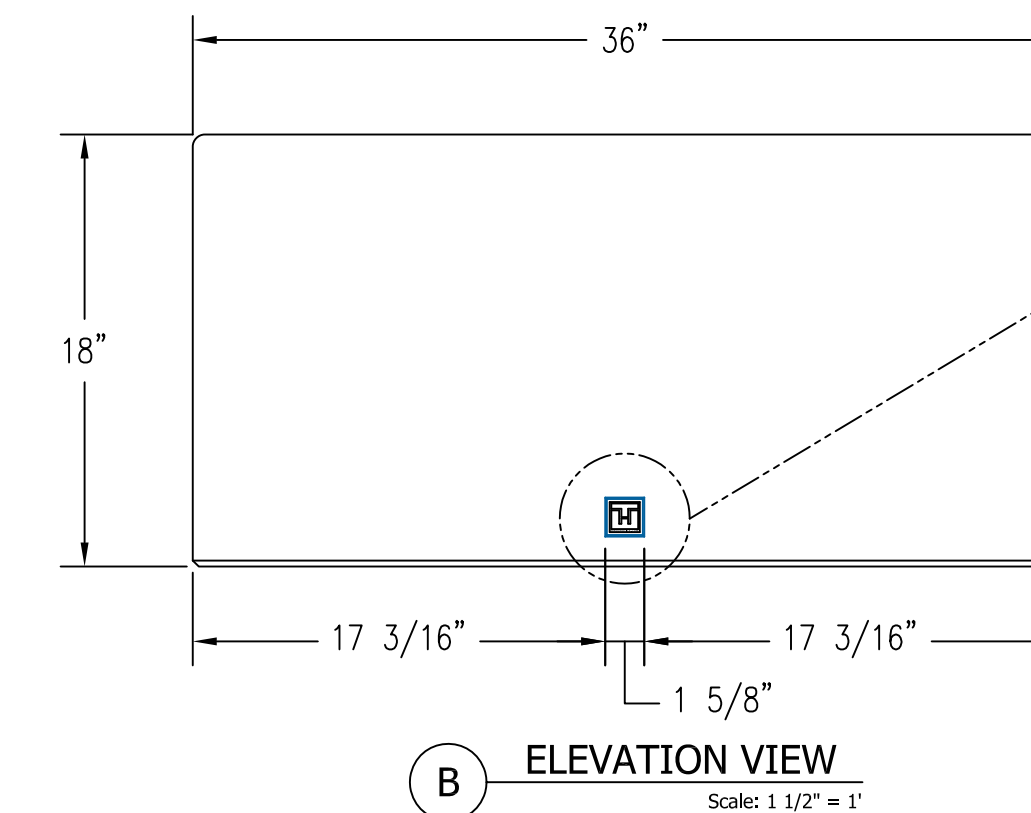
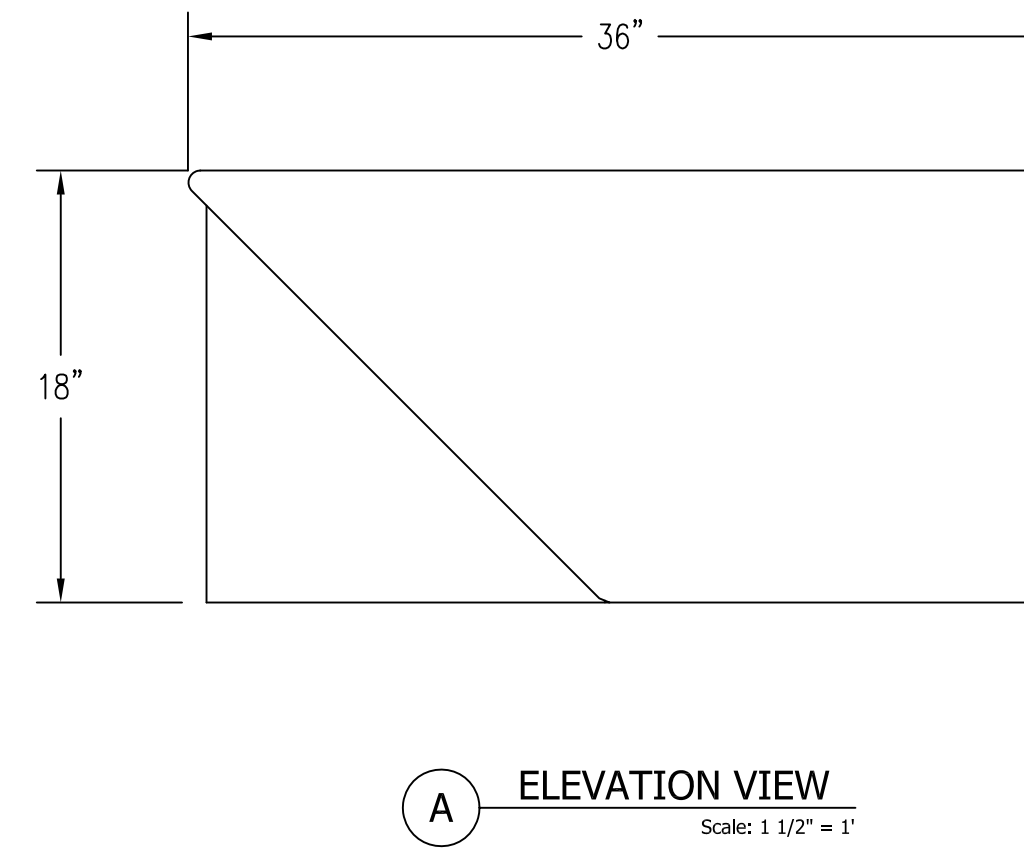
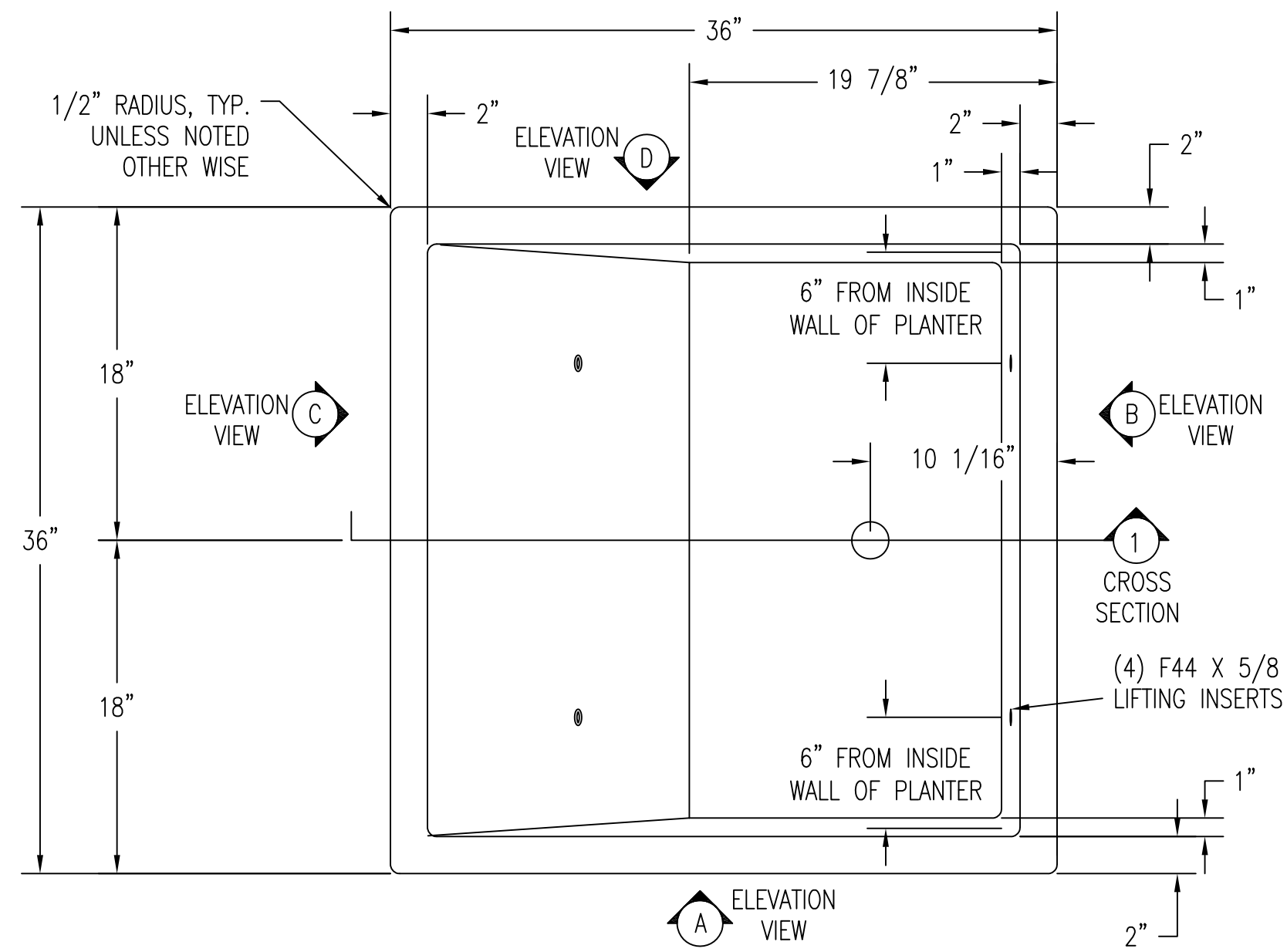
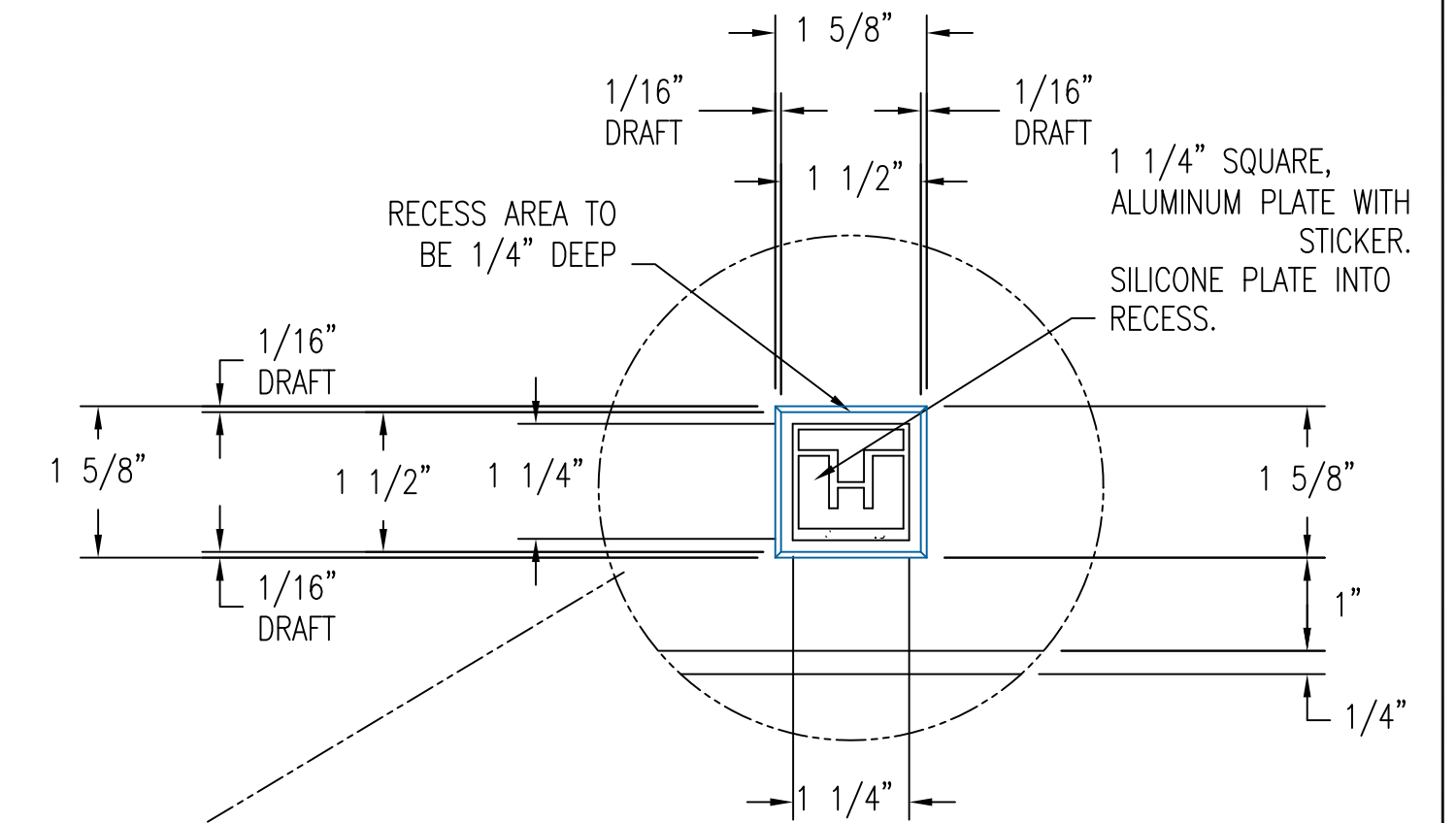


SCHEDULE FOR WS-313 PLANTER			
ITEM #	DESCRIPTION	QTY	PART #
1	CONCRETE PLANTER	1	
2	STAINLESS STEEL BRACKET, SHOT BLAST FINISH	1	775031
3	3/8-16 X 1" LONG S.S. SOCKET HEAD CAP SCREWS	2	RM10497



**PROPRIETARY AND CONFIDENTIAL**  
THE INFORMATION CONTAINED IN THIS DRAWING IS THE SOLE PROPERTY OF Park Warehouse, LLC. 5301 North Federal Highway, Suite 140, Boca Raton, FL. ANY REPRODUCTION IN PART OR AS A WHOLE WITHOUT THE WRITTEN PERMISSION OF Park Warehouse, LLC. 5301 North Federal Highway, Suite 140, Boca Raton, FL. IS PROHIBITED.