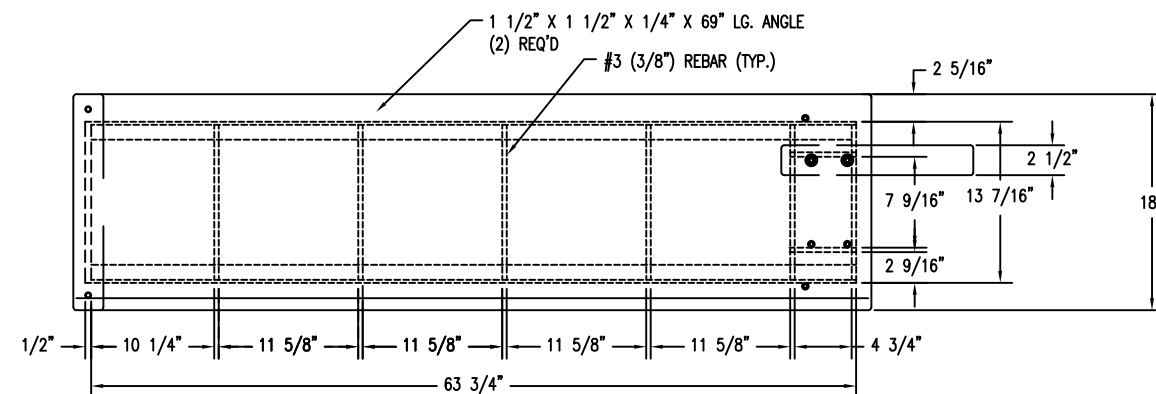
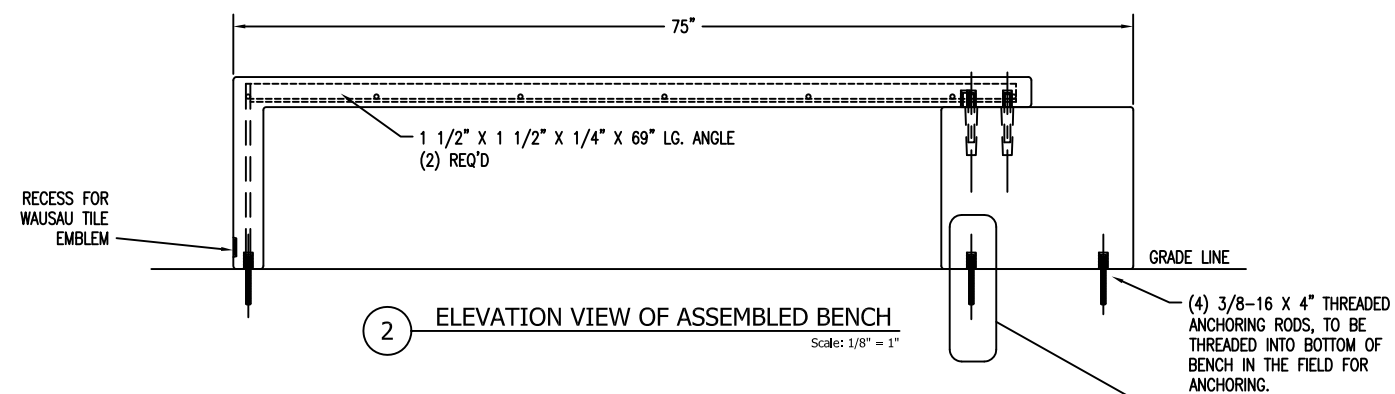


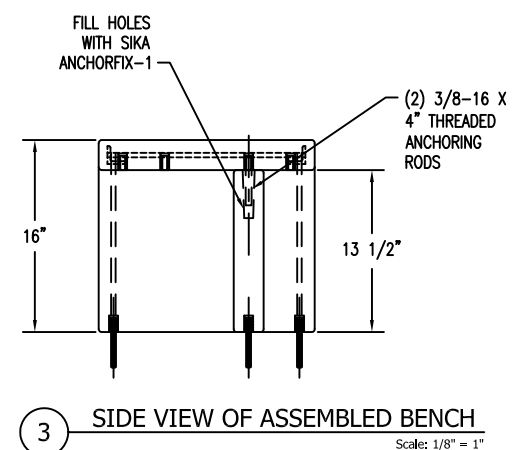
PARTS SCHEDULE FOR WS-128 BENCH			
ITEM #	DESCRIPTION	QTY	PART #
1	BENCH SEAT	1	
2	RECTANGULAR PEDESTAL BENCH LEG	1	
3	3/8-16 X 4" ANCHORING RODS	6	TF9040
4	SIKA ANCHORFIX-1, 10.1 FL OZ TUBE	1	
5			
6			



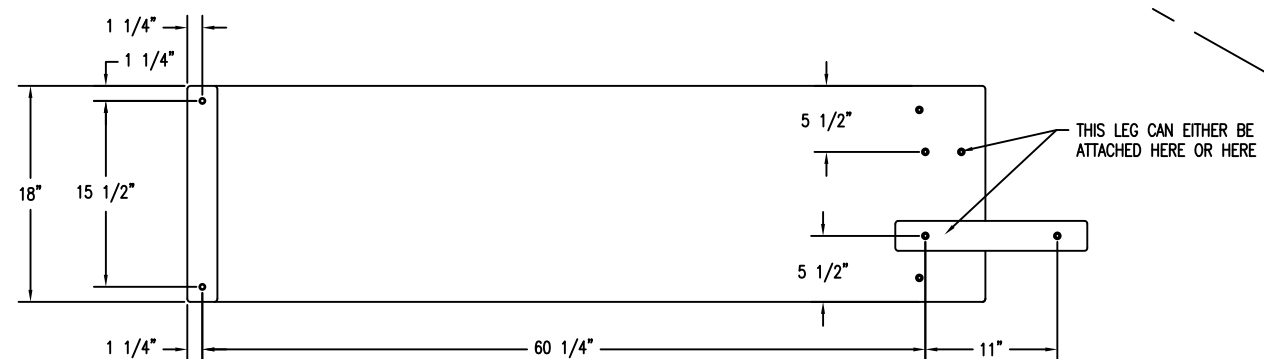
1 TOP VIEW OF ASSEMBLED BENCH  
Scale: 1/8" = 1"



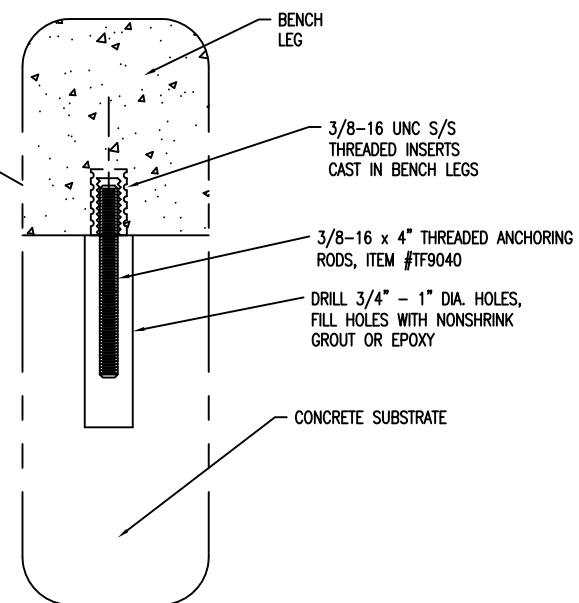
2 ELEVATION VIEW OF ASSEMBLED BENCH  
Scale: 1/8" = 1"



3 SIDE VIEW OF ASSEMBLED BENCH  
Scale: 1/8" = 1"



4 BOTTOM VIEW OF ASSEMBLED BENCH  
Scale: 1/8" = 1"



5 ANCHORING DETAIL  
Scale: 1/2" = 1"

PROPRIETARY AND CONFIDENTIAL  
THE INFORMATION CONTAINED IN THIS DRAWING IS THE SOLE PROPERTY OF Park Warehouse, LLC. 5301 North Federal Highway, Suite 140, Boca Raton, FL. ANY REPRODUCTION IN PART OR AS A WHOLE WITHOUT THE WRITTEN PERMISSION OF Park Warehouse, LLC. 5301 North Federal Highway, Suite 140, Boca Raton, FL. IS PROHIBITED.