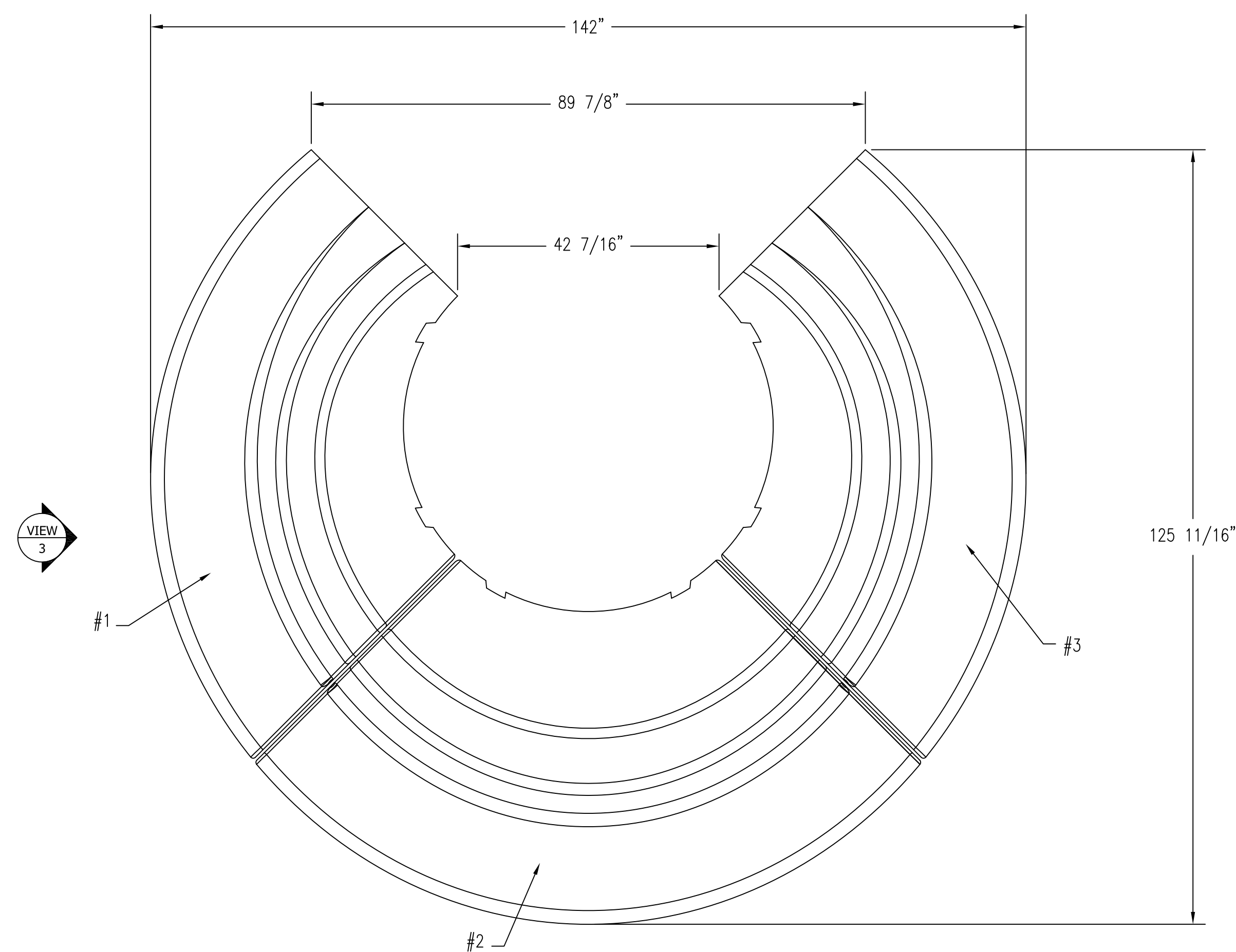
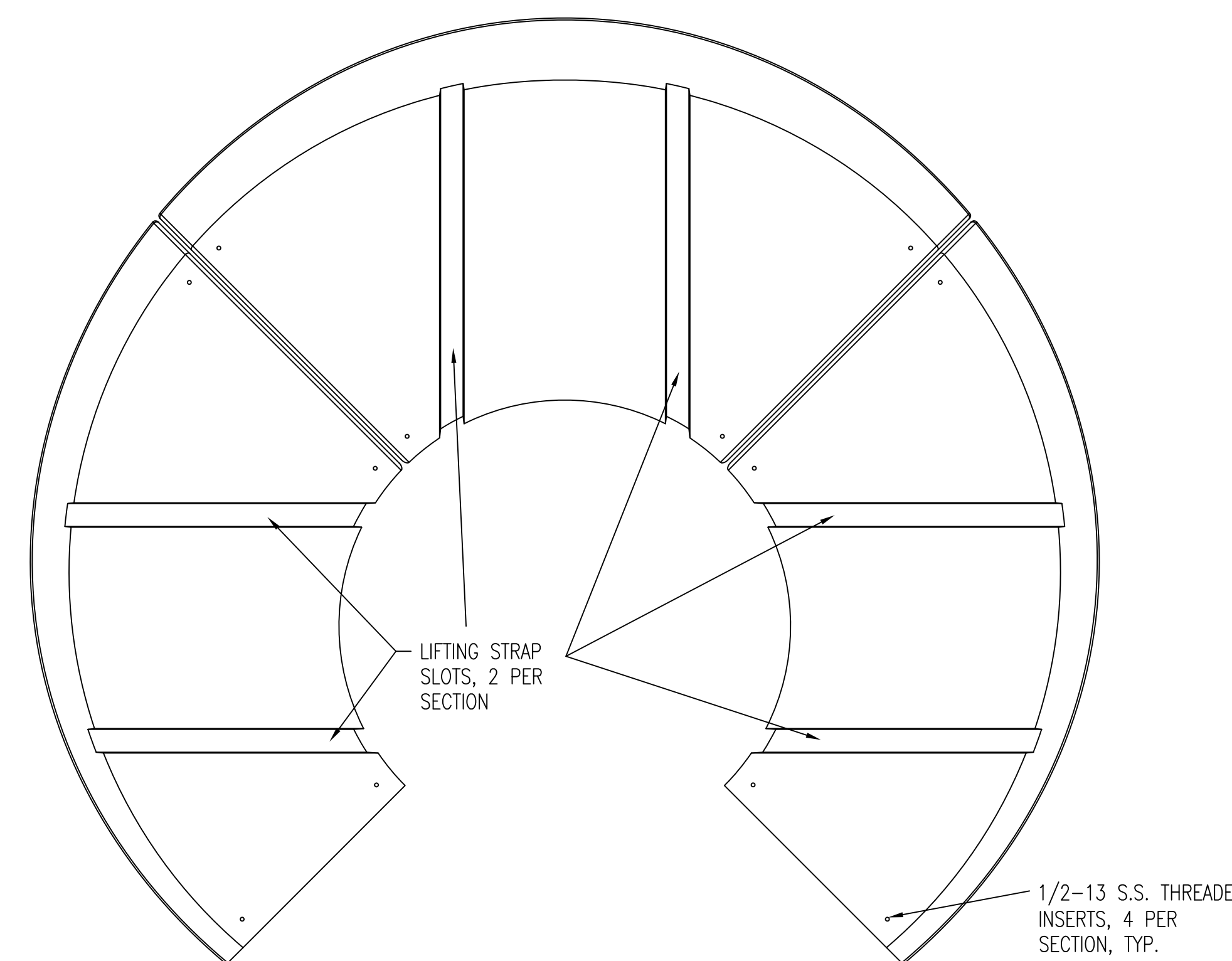




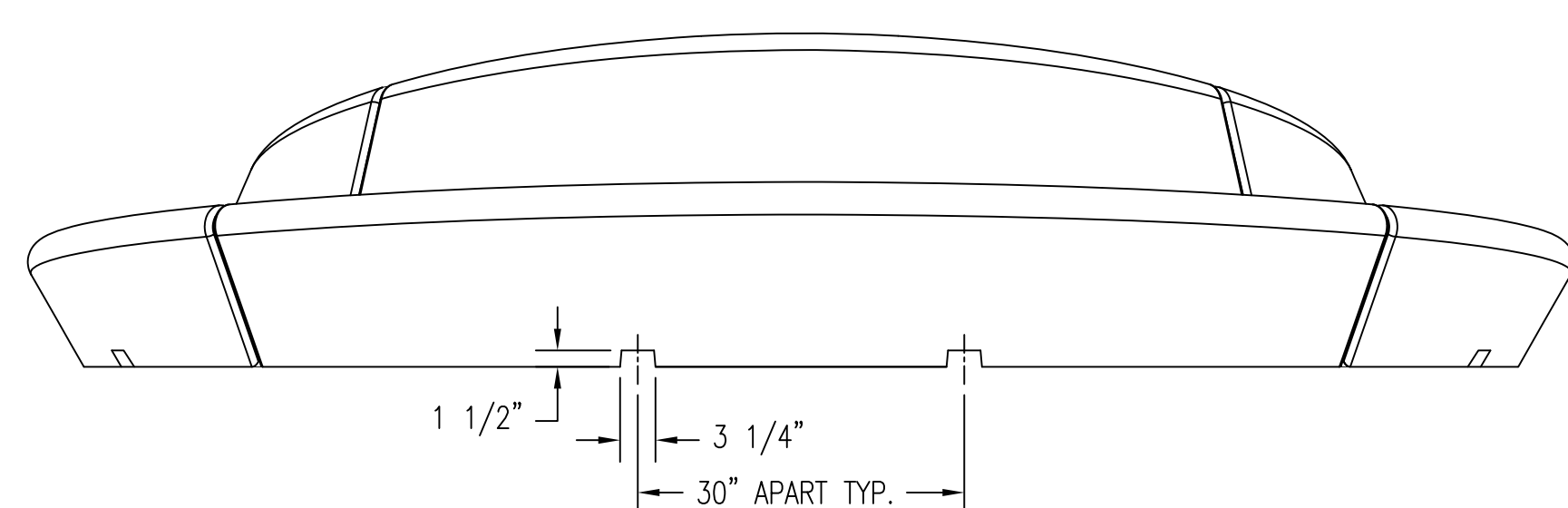
| BILL OF MATERIALS |             |             |     |       |
|-------------------|-------------|-------------|-----|-------|
| NO.               | PART NUMBER | DESCRIPTION | QTY | NOTES |
| 1                 | DF5511      | LEFT END    | 1   |       |
| 2                 | DF5512      | CENTER      | 1   |       |
| 3                 | DF5513      | RIGHT END   | 1   |       |



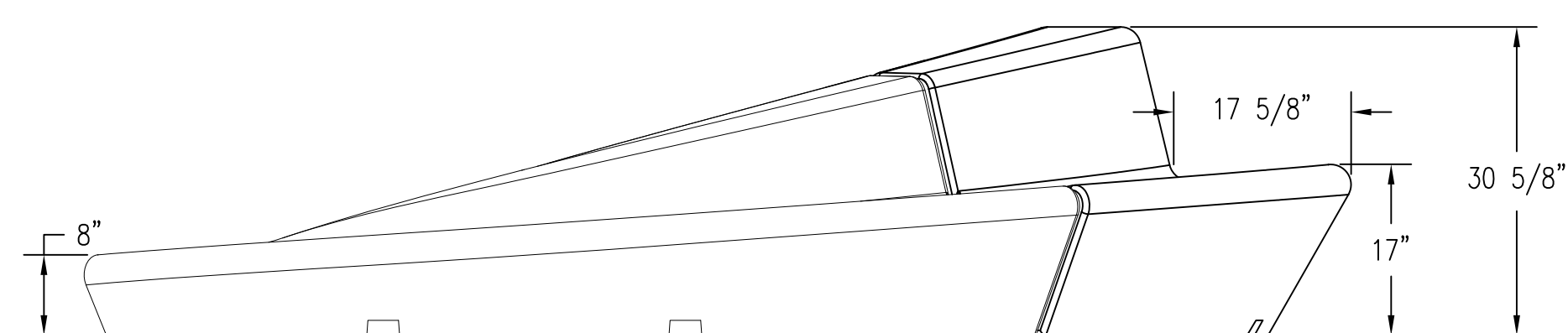
1 TOP VIEW OF NEST BENCH  
Scale: 1/16" = 1"



4 BOTTOM VIEW OF NEST BENCH  
Scale: 1/16" = 1"



2 FRONT VIEW OF NEST BENCH  
Scale: 1/16" = 1"



3 SIDE VIEW OF NEST BENCH  
Scale: 1/16" = 1"

**PROPRIETARY AND CONFIDENTIAL**  
THE INFORMATION CONTAINED IN THIS DRAWING IS THE SOLE PROPERTY OF Park Warehouse, LLC. 5301 North Federal Highway, Suite 140, Boca Raton, FL. ANY REPRODUCTION IN PART OR AS A WHOLE WITHOUT THE WRITTEN PERMISSION OF Park Warehouse, LLC. 5301 North Federal Highway, Suite 140, Boca Raton, FL. IS PROHIBITED.