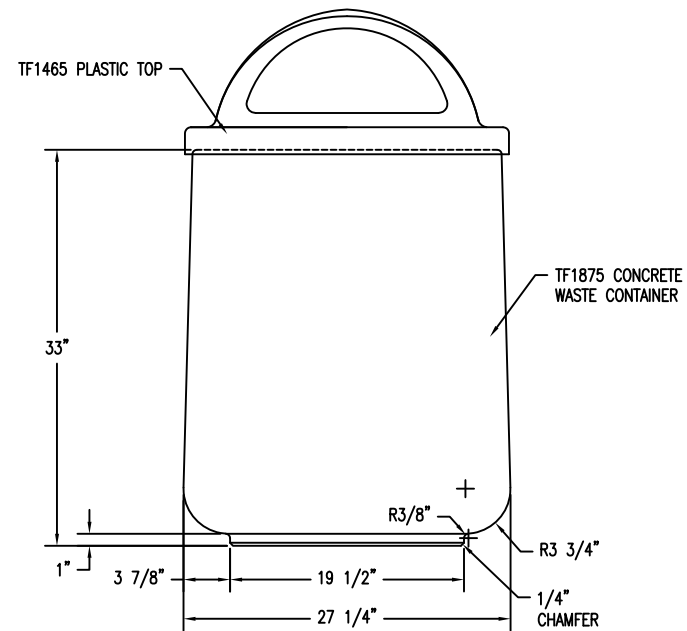
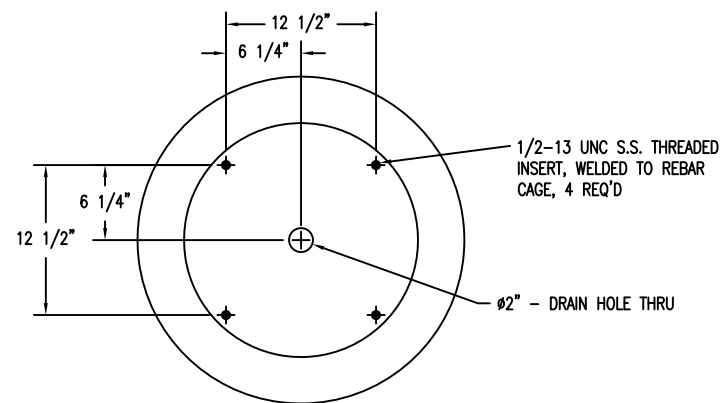


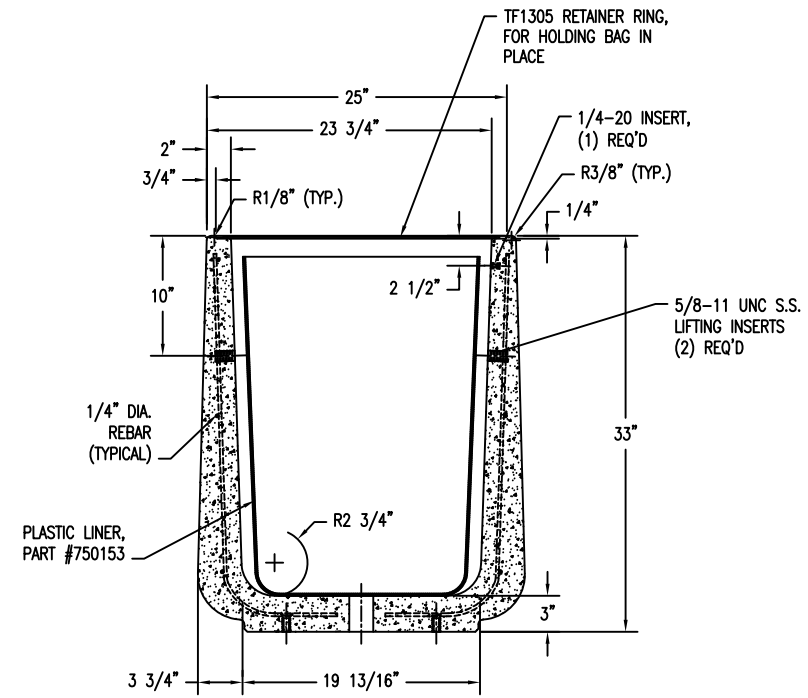
1 TOP VIEW OF WASTE CONTAINER
Scale: 1/8" = 1"



2 ELEVATION VIEW OF WASTE CONTAINER
Scale: 1/8" = 1"



3 BOTTOM VIEW OF WASTE CONTAINER
Scale: 1/8" = 1"



4 SECTION VIEW OF WASTE CONTAINER, WITH OUT LID
Scale: 1/8" = 1"