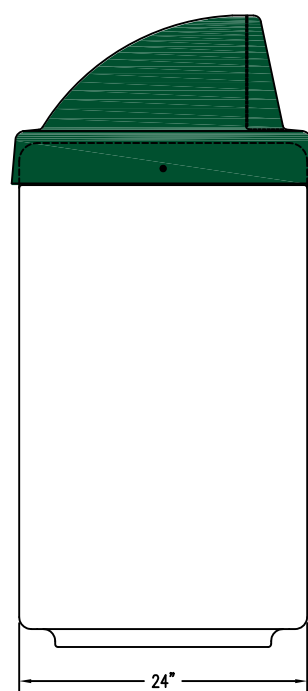
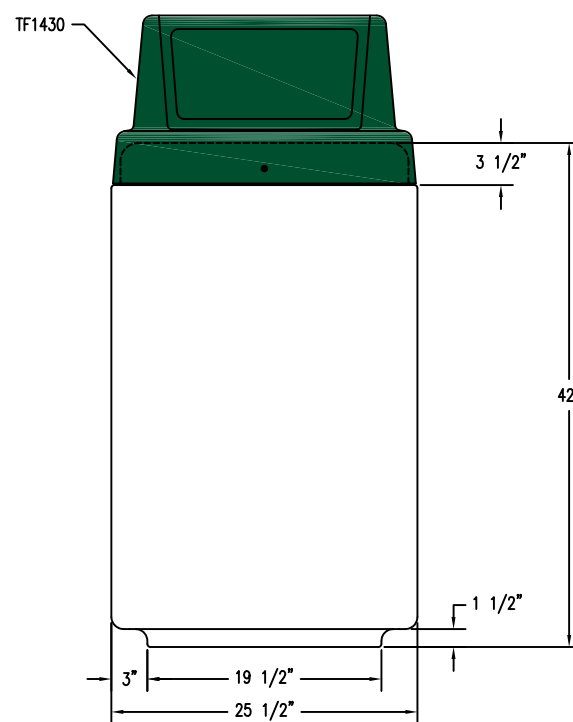


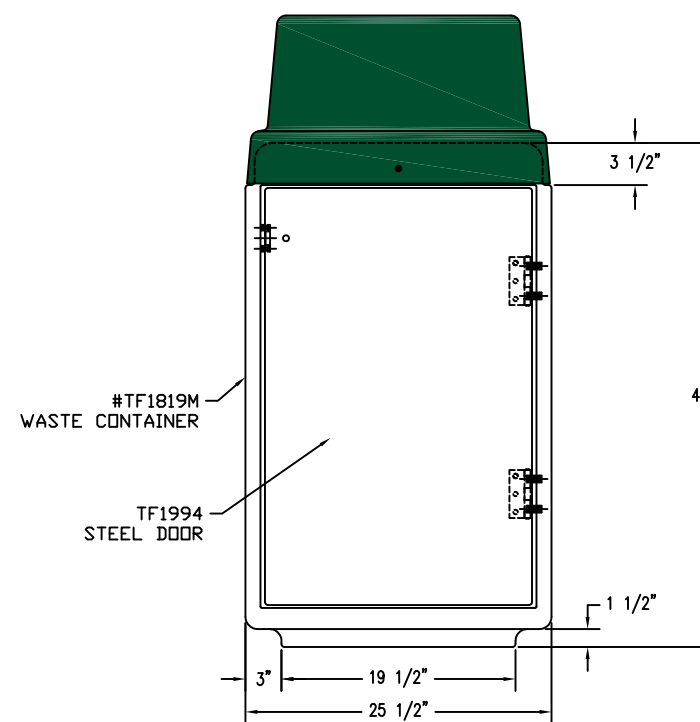
1 TOP VIEW OF CONCRETE CAN WITH OUT LID
Scale: 1/8" = 1"



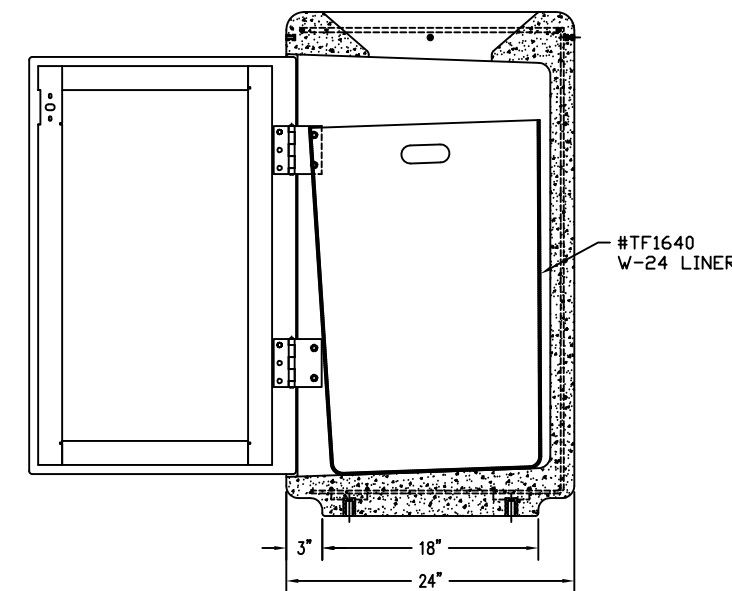
2 SIDE VIEW
Scale: 1/8" = 1"



3 FRONT VIEW
Scale: 1/8" = 1"



4 BACK VIEW
Scale: 1/8" = 1"



5 SECTION VIEW
Scale: 1/8" = 1"

PROPRIETARY AND CONFIDENTIAL
THE INFORMATION CONTAINED IN THIS DRAWING IS THE SOLE PROPERTY OF Park Warehouse, LLC. 5301 North Federal Highway, Suite 140, Boca Raton, FL. ANY REPRODUCTION IN PART OR AS A WHOLE WITHOUT THE WRITTEN PERMISSION OF Park Warehouse, LLC. 5301 North Federal Highway, Suite 140, Boca Raton, FL. IS PROHIBITED.