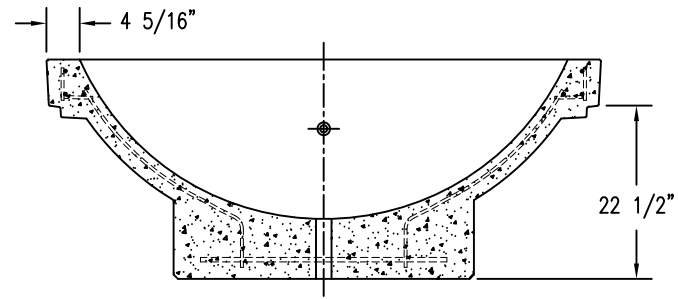
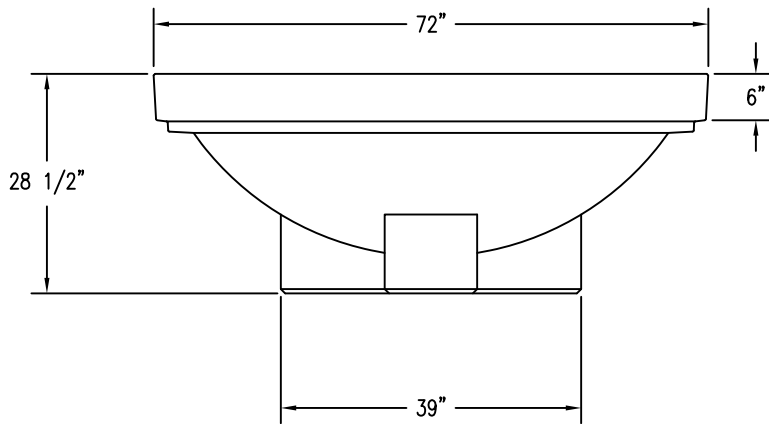


1 TOP VIEW

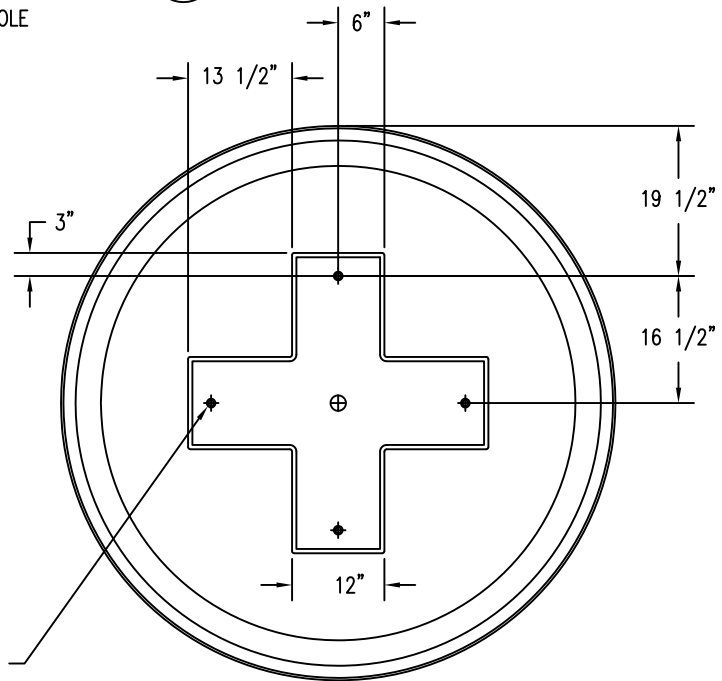
2" DRAIN HOLE



4 CROSS SECTION



2 ELEVATION VIEW



3 BOTTOM VIEW

(4) 1/2-13
UNC S/S
INSERTS

PROPRIETARY AND CONFIDENTIAL
THE INFORMATION CONTAINED IN THIS
DRAWING IS THE SOLE PROPERTY OF
Park Warehouse, LLC, 5301 North
Federal Highway, Suite 140, Boca Raton,
FL. ANY REPRODUCTION IN PART OR
AS A WHOLE WITHOUT THE WRITTEN
PERMISSION OF Park Warehouse, LLC,
5301 North Federal Highway, Suite 140,
Boca Raton, FL. IS PROHIBITED.