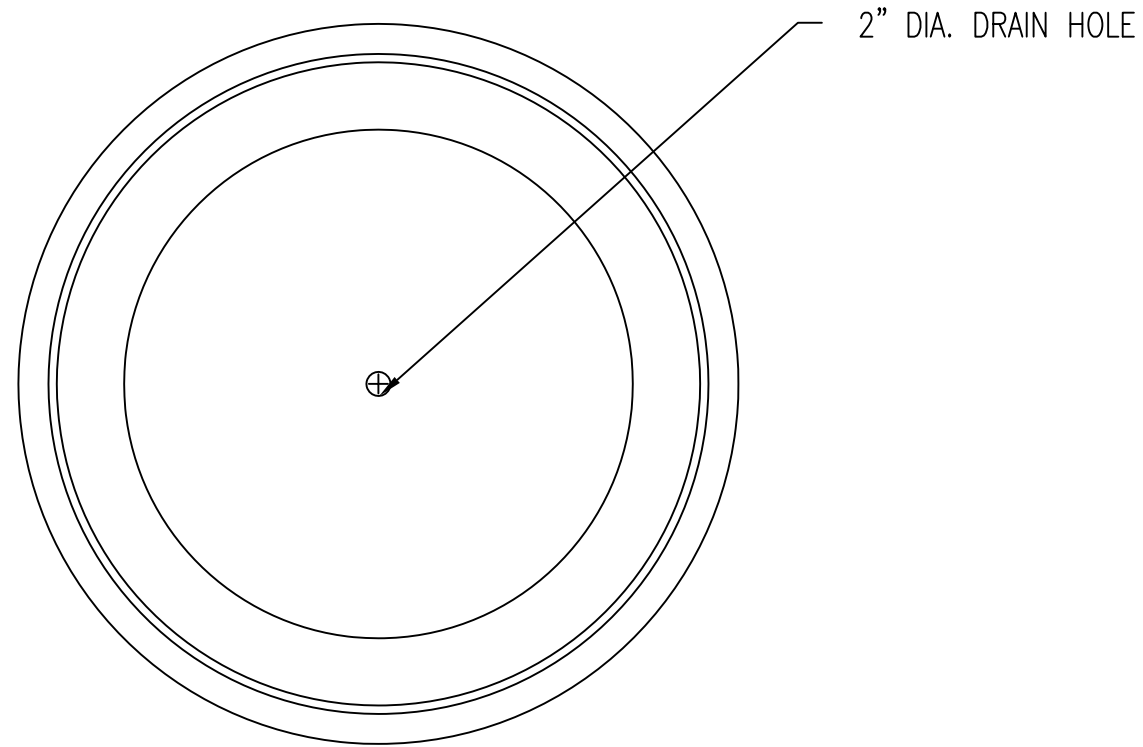
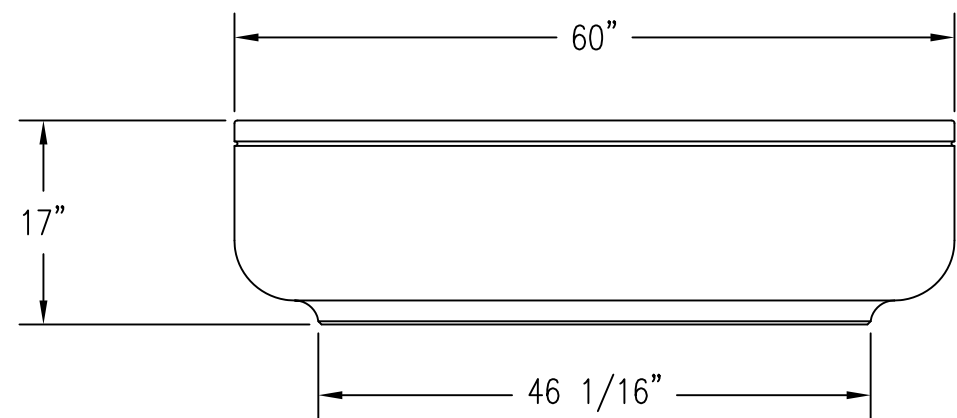


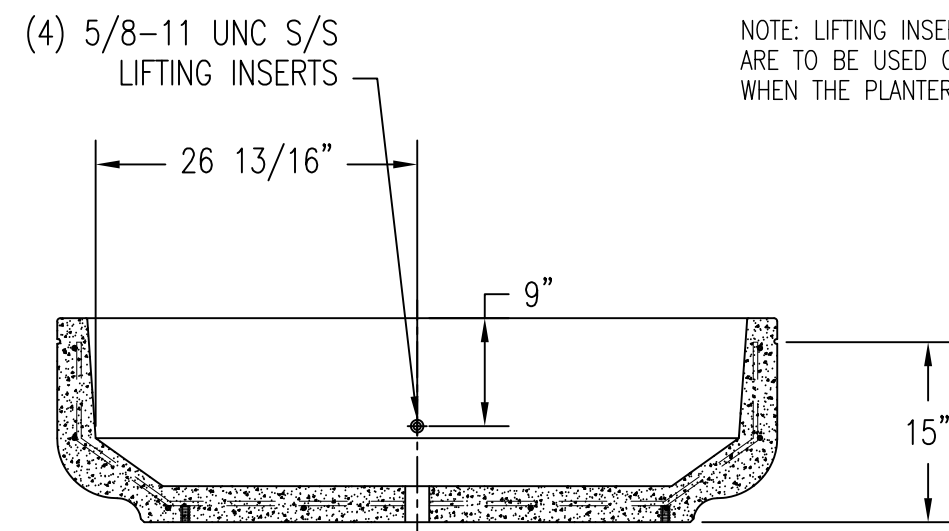
NOTE: LIFTING INSERTS  
ARE TO BE USED ONLY  
WHEN THE PLANTER IS EMPTY



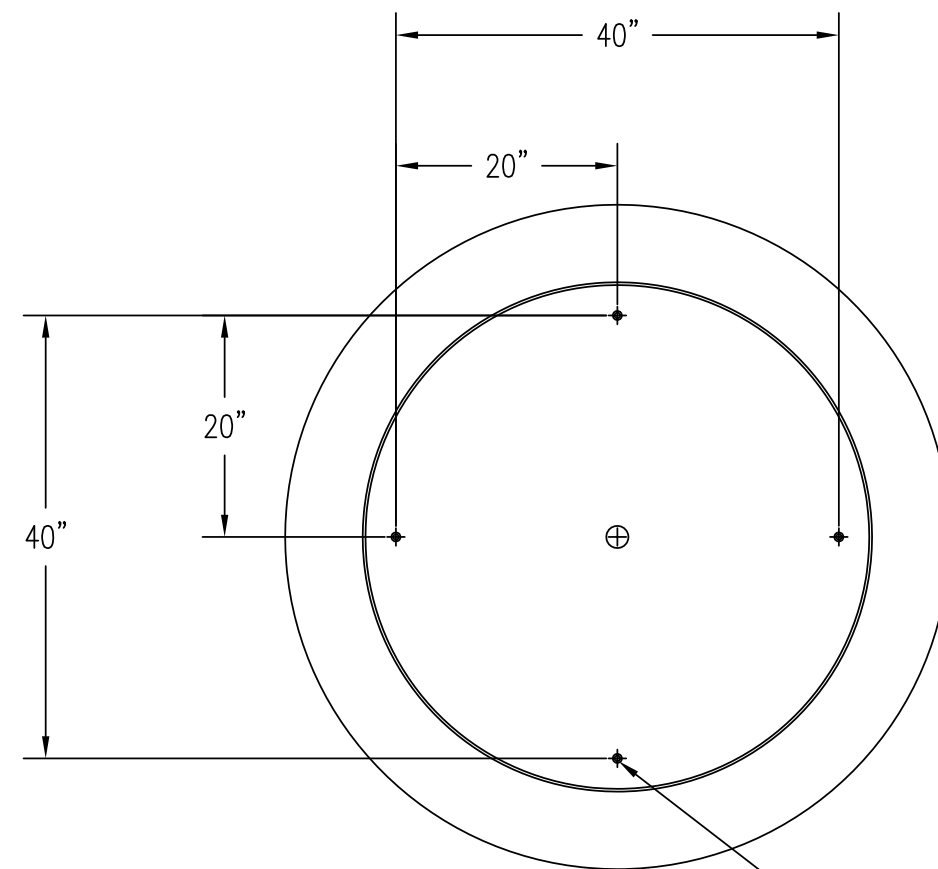
1 TOP VIEW



2 ELEVATION VIEW



4 CROSS SECTION



3 BOTTOM VIEW

(4) 1/2-13 UNC S/S  
THREADED INSERTS