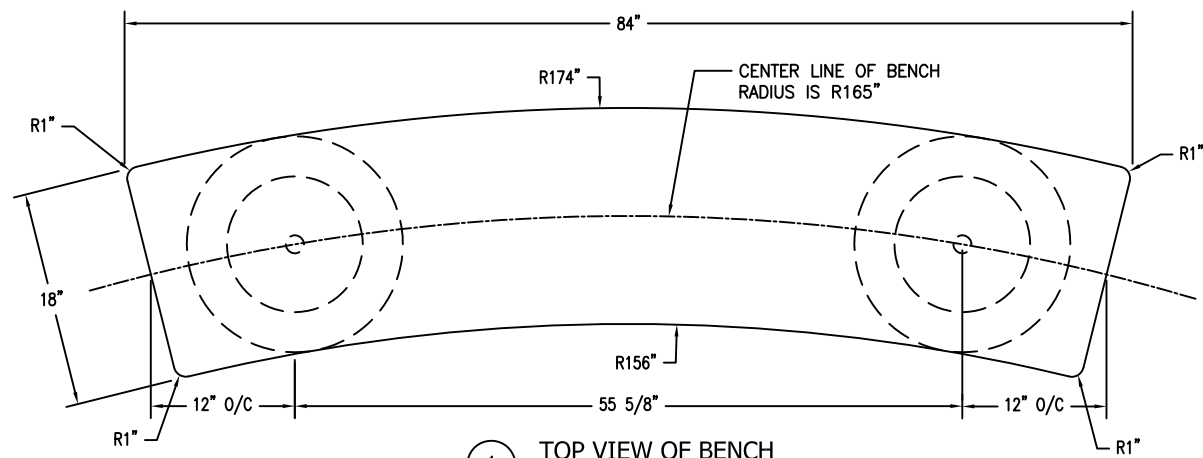
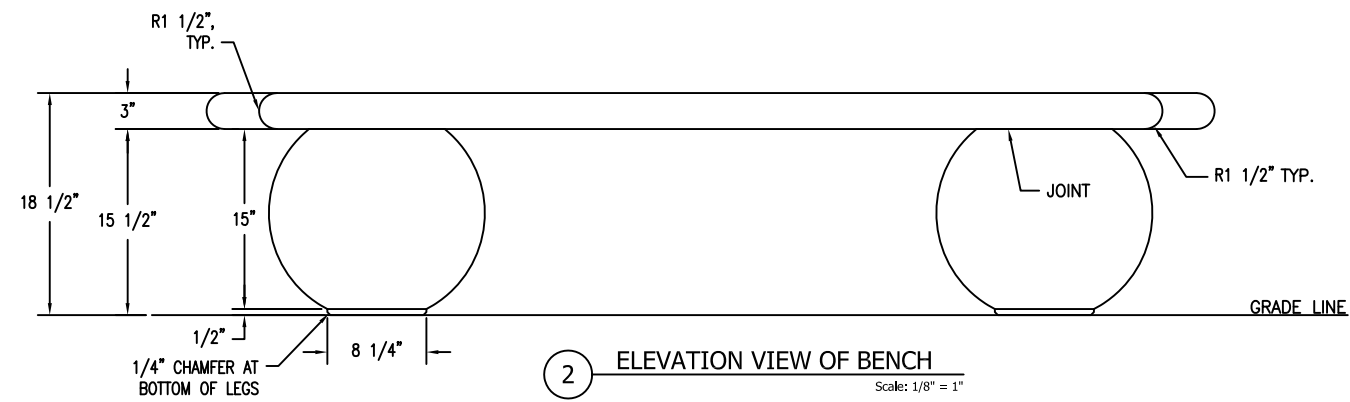


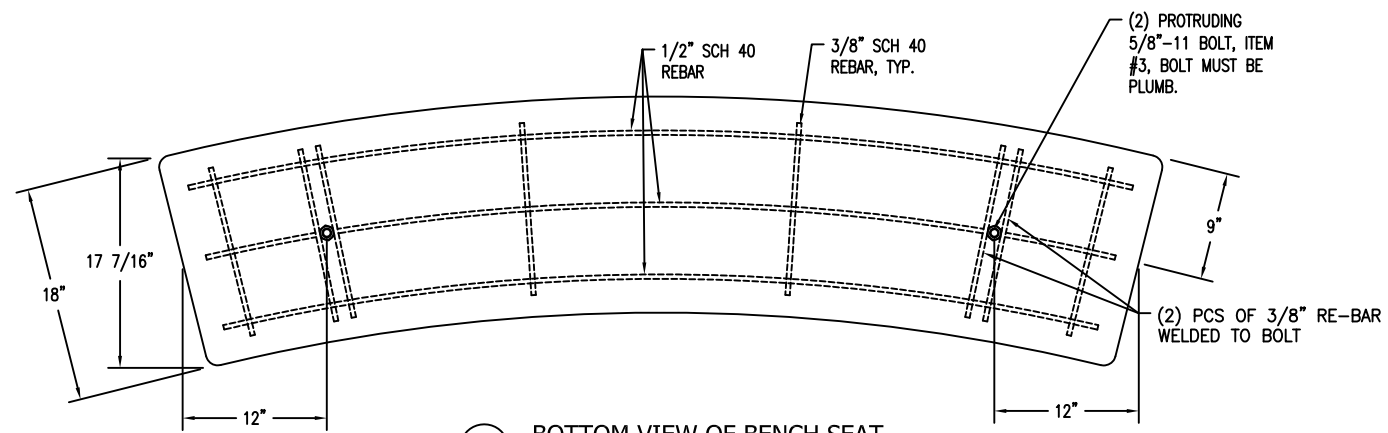
TF5140 BENCH PART LIST			
ITEM NO.	DESCRIPTION	PART NO.	QTY.
1	CONCRETE BENCH SEAT		1
2	CONCRETE BENCH LEGS 18" DIA.		2
3	5/8"-11 X 5" UNC GAL. BOLTS		2
4	5/8"-11 X 6" UNC S.S. RODS		6



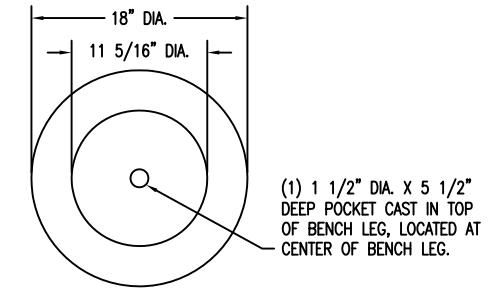
1 TOP VIEW OF BENCH
Scale: 1/8" = 1"



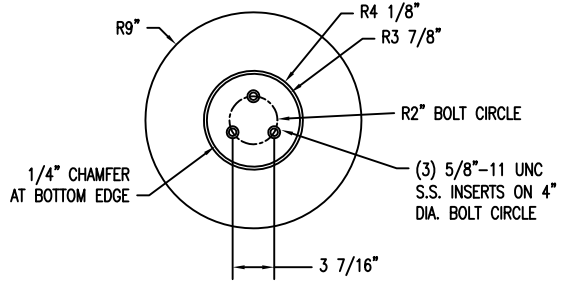
2 ELEVATION VIEW OF BENCH
Scale: 1/8" = 1"



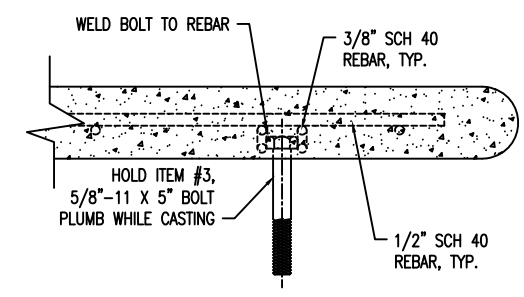
3 BOTTOM VIEW OF BENCH SEAT
Scale: 1/8" = 1"



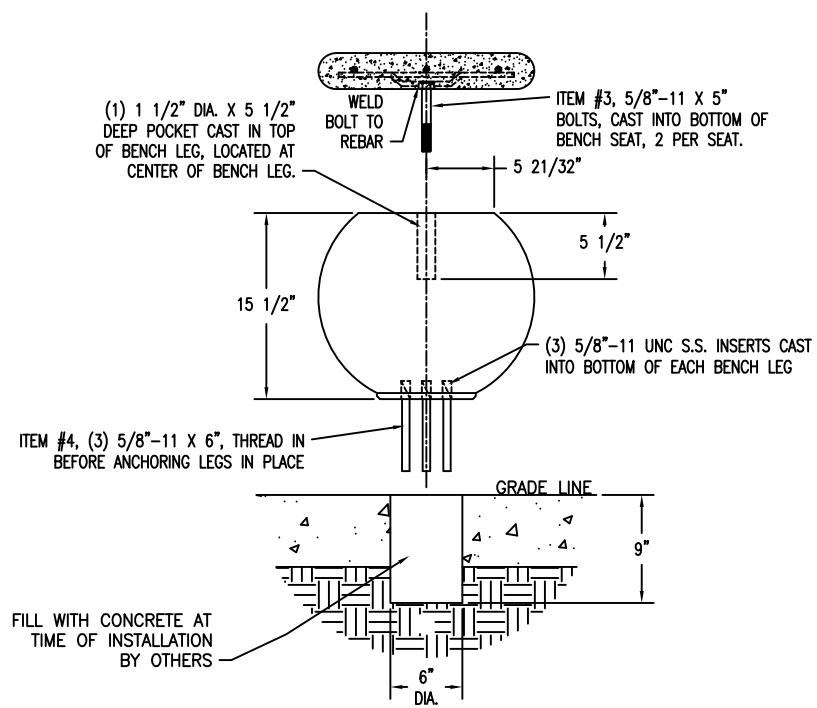
4 TOP VIEW OF BENCH LEG
Scale: 1/8" = 1"



5 BOTTOM VIEW OF BENCH LEG
Scale: 1/8" = 1"



7 DETAIL OF BENCH SEAT ANCHOR BOLT CAST IN
N.T.S.



6 ANCHORING BENCH SEAT TO BENCH LEGS
Scale: 1/8" = 1"

INSTALLATION: SET BENCH LEGS AT CENTER LINE LOCATION FOR FOR 7'-0" BENCHES, CHECK CENTER-TO-CENTER OF 1 1/2" POCKETS TO MAKE SURE IT IS CORRECT.

LEAVE CURE FOR 24 HOURS. FILL 1 1/2" POCKET WITH EPOXY, CAREFULLY PLACE BENCH SEAT WITH STUDS DOWN ONTO BENCH LEGS, REMOVE ANY EXCESS EPOXY.

BENCH SEAT CAST SMOOTH AND STAINED
BENCH LEGS CAST WEATHERSTONE



PROPRIETARY AND CONFIDENTIAL
THE INFORMATION CONTAINED IN THIS DRAWING IS THE SOLE PROPERTY OF Park Warehouse, LLC. 5301 North Federal Highway, Suite 140, Boca Raton, FL. ANY REPRODUCTION IN PART OR AS A WHOLE WITHOUT THE WRITTEN PERMISSION OF Park Warehouse, LLC. 5301 North Federal Highway, Suite 140, Boca Raton, FL. IS PROHIBITED.