



REVISIONS

NAME	DATE	NOTES
1	---	---
2	---	---
3	---	---
4	---	---
5	---	---
6	---	---
7	---	---
8	---	---

This drawing and all information contained herein is the property of PARK WAREHOUSE, LLC. and is not to be reproduced without express written permission of this manufacturer. We assume no responsibility for unauthorized use of this drawing. PARK WAREHOUSE, LLC. is not responsible for local permits and occupancy requirements.

JOB NAME

LOCATION

UNLESS OTHERWISE SPECIFIED DIMENSIONS ARE IN INCHES FRACTIONS ± 1/8"

DRAWN BY: ?

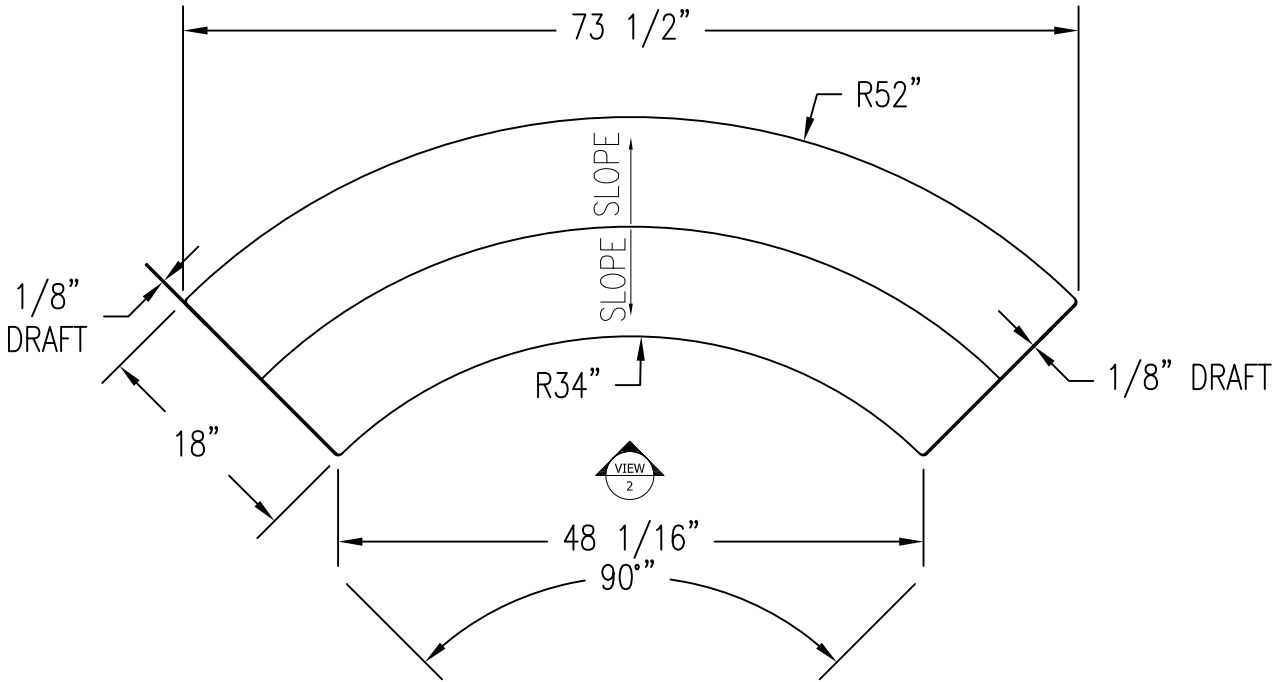
DATE: 2/17/15

CO NUMBER: ?

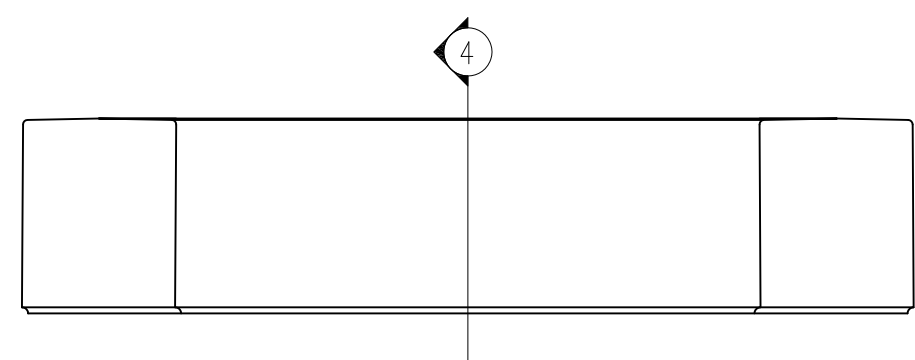
WEIGHT: 550 LBS

SHEET NO.

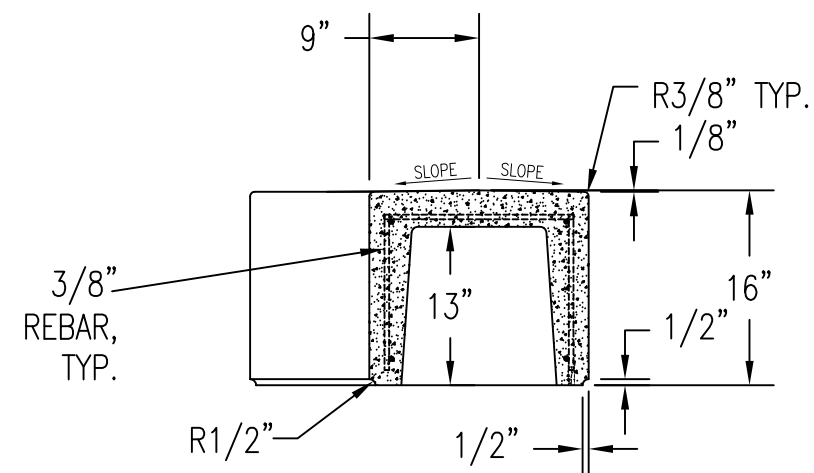
TF5116



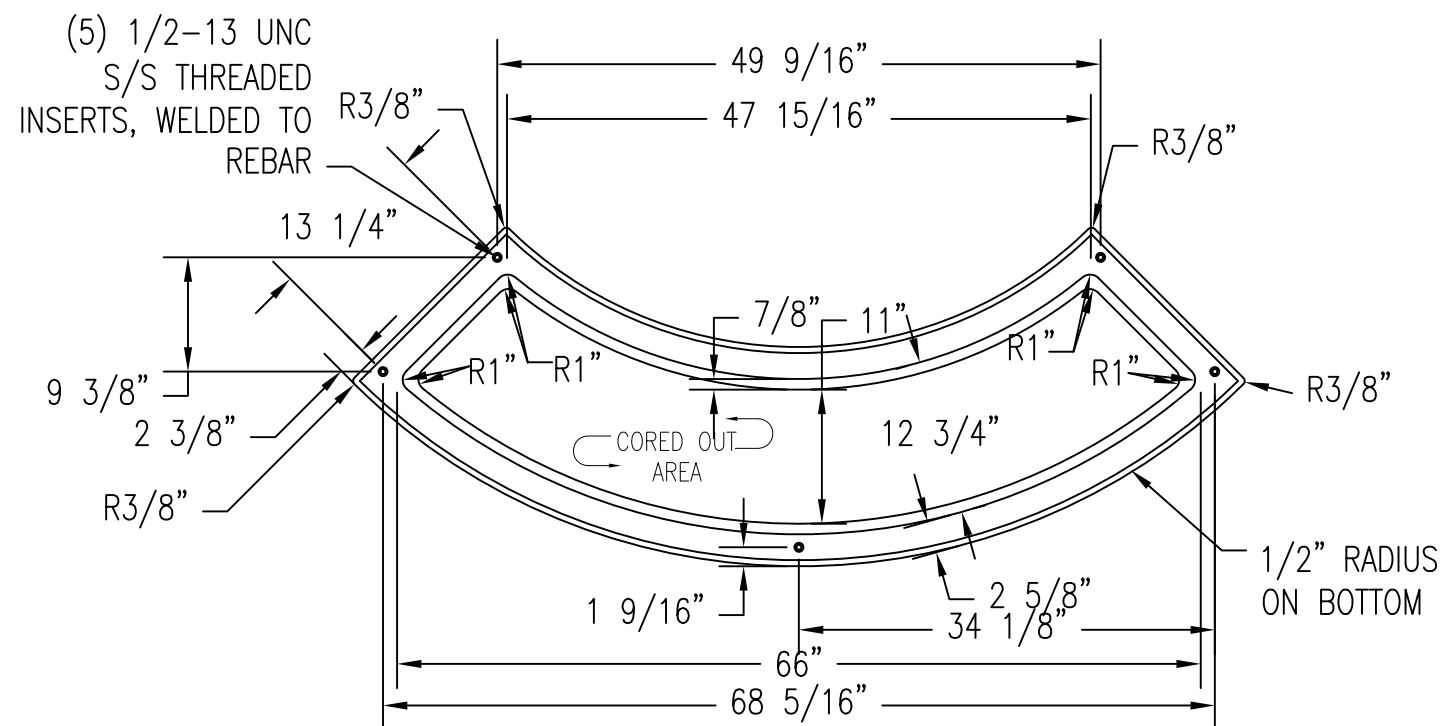
1 TOP VIEW
Scale: 1/16" = 1"



2 ELEVATION VIEW
Scale: 1/16" = 1"



3 SECTION VIEW
Scale: 1/16" = 1"



4 BOTTOM VIEW
Scale: 1/16" = 1"

(5) 1/2-13 UNC S/S THREADED INSERTS, WELDED TO REBAR