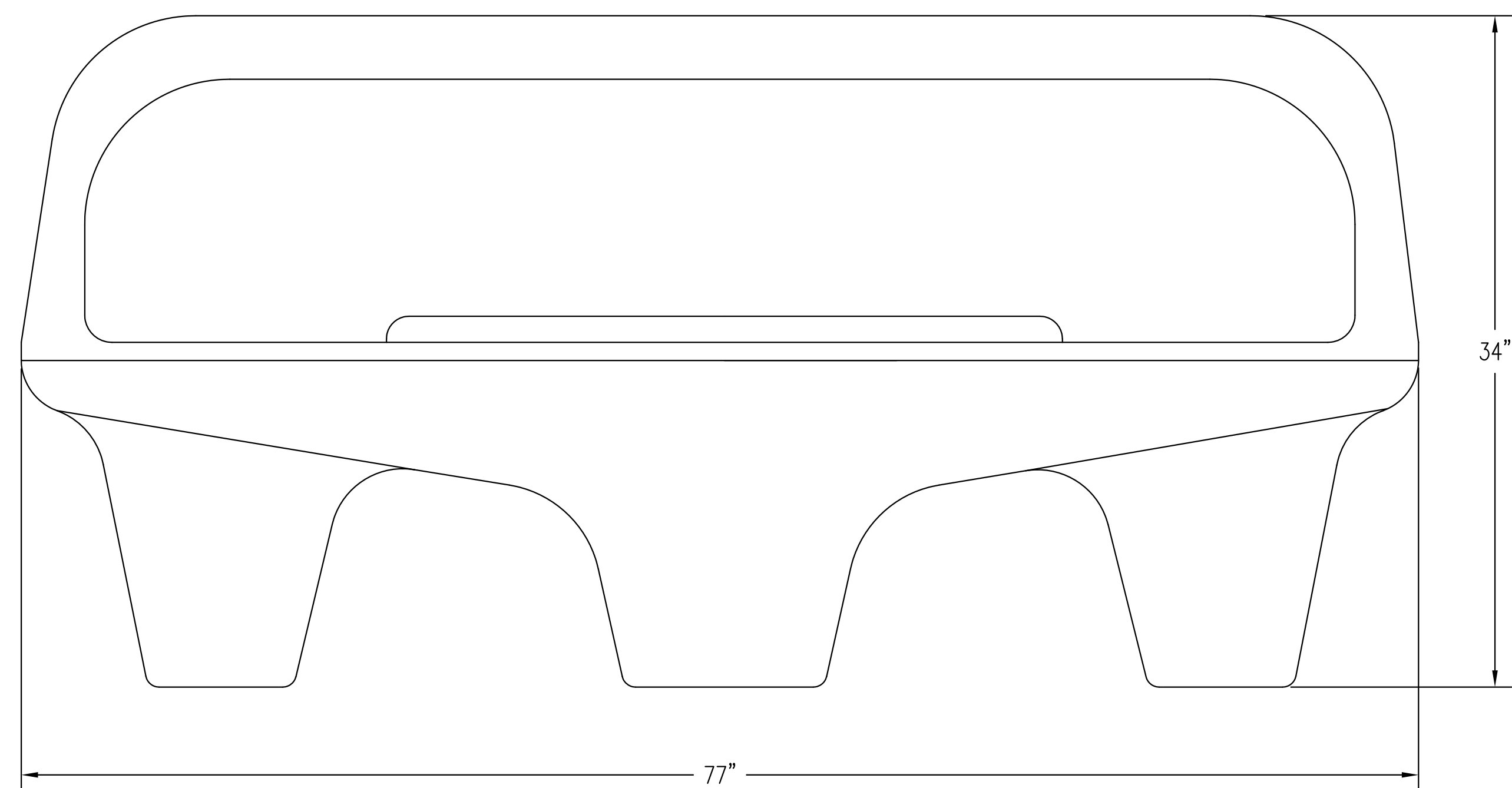


1 TOP VIEW  
Scale: NOT TO SCALE



2 FRONT ELEVATION VIEW  
Scale: NOT TO SCALE

PROPRIETARY AND CONFIDENTIAL  
THE INFORMATION CONTAINED IN THIS  
DRAWING IS THE SOLE PROPERTY OF  
Park Warehouse, LLC. 5301 North  
Federal Highway, Suite 140, Boca Raton,  
FL. ANY REPRODUCTION IN PART OR  
AS A WHOLE WITHOUT THE WRITTEN  
PERMISSION OF Park Warehouse, LLC.  
5301 North Federal Highway, Suite 140,  
Boca Raton, FL. IS PROHIBITED.

SHEET NO.

TF5060