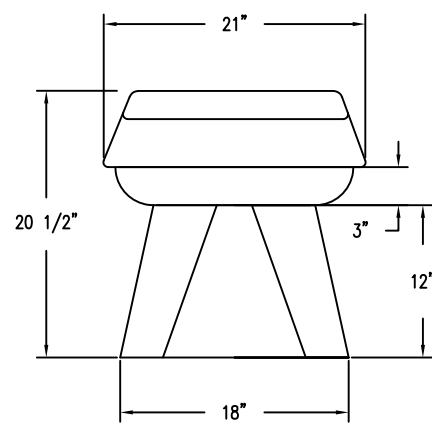
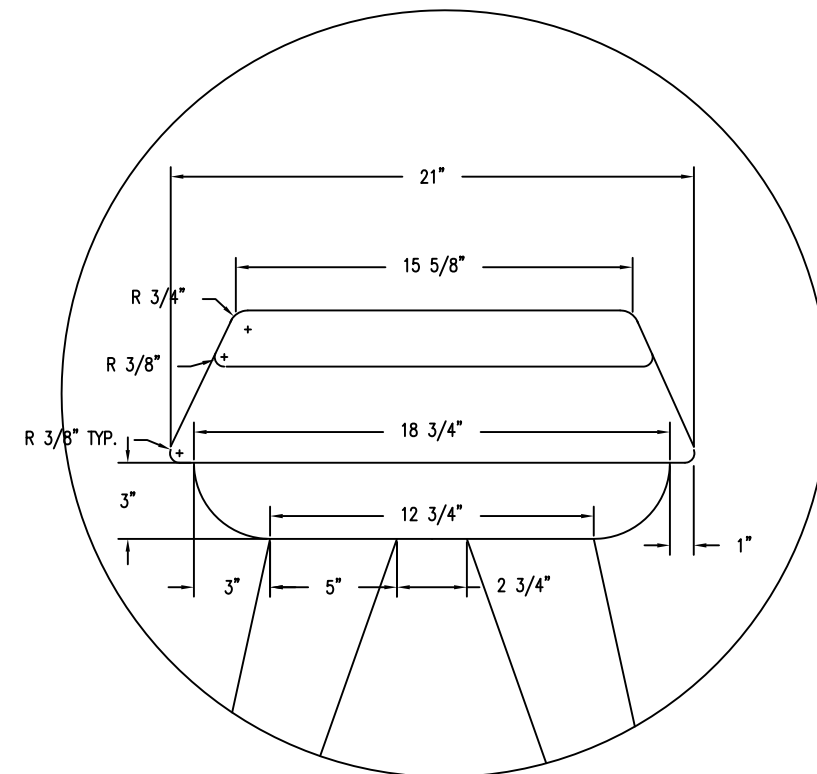


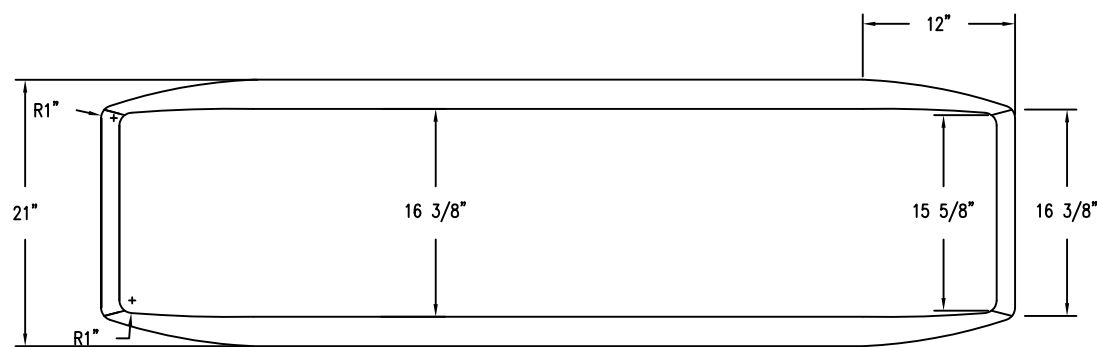
SIDE VIEW BENCH



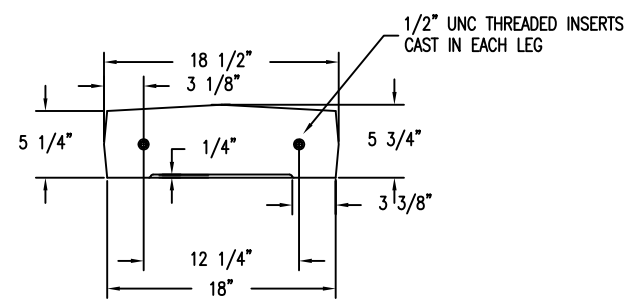
END VIEW BENCH



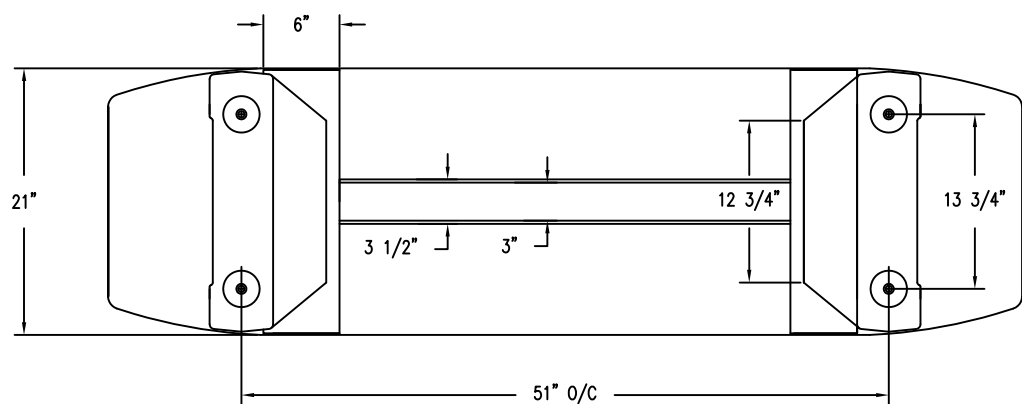
DETAIL END VIEW



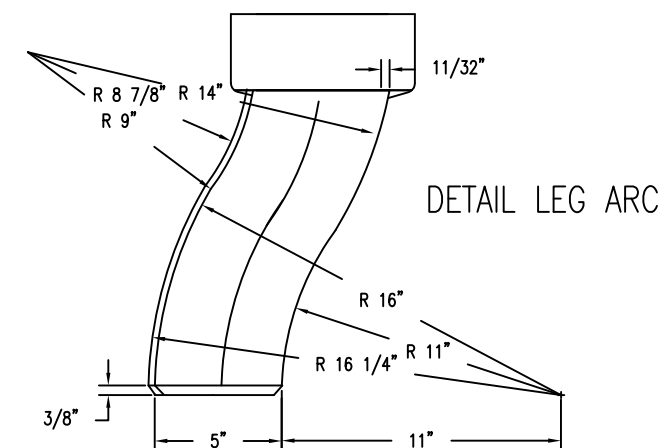
TOP VIEW BENCH



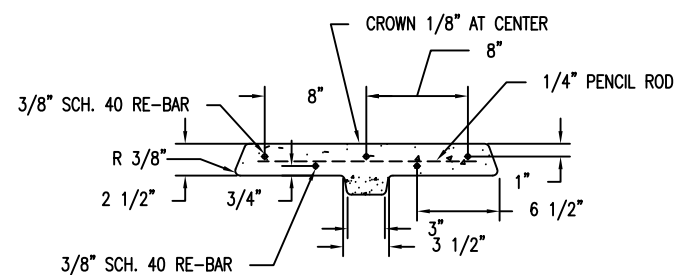
BENCH LEG BOTTOM



BOTTOM VIEW AND FOOT PRINT

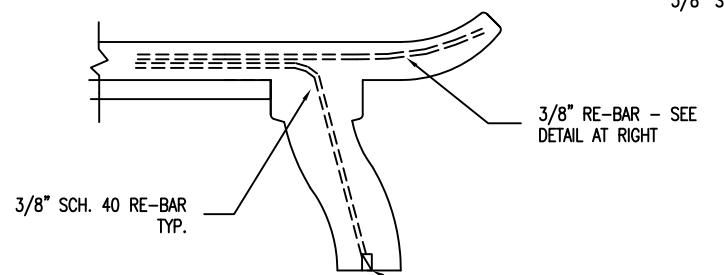


DETAIL LEG ARC



SECTION BENCH DETAIL

RADIUS OF BENCH LEG



DETAIL RE-BAR BENCH LEG

APPROX. WEIGHT 610#

ITEM. NO.	DESCRIPTION	PART NO.	QTY.
1	CAST CONCRETE BENCH UNITS		1
2	1/2"-13 UNC THREADED INSERTS CAST IN		4
3			
4			
5			
6			

PROPRIETARY AND CONFIDENTIAL  
 THE INFORMATION CONTAINED IN THIS DRAWING IS THE SOLE PROPERTY OF Park Warehouse, LLC. 5301 North Federal Highway, Suite 140, Boca Raton, FL. ANY REPRODUCTION IN PART OR AS A WHOLE WITHOUT THE WRITTEN PERMISSION OF Park Warehouse, LLC. 5301 North Federal Highway, Suite 140, Boca Raton, FL. IS PROHIBITED.

