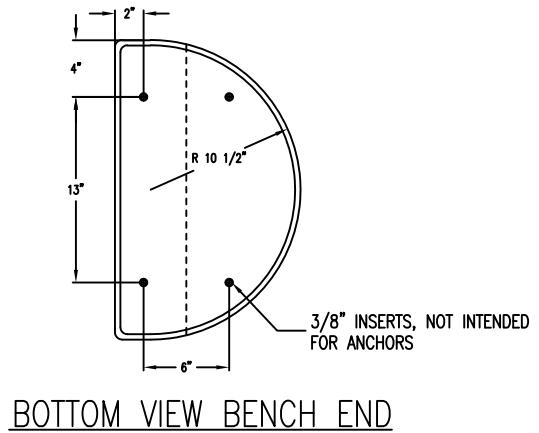


WT. 220# COMPLETE



ITEM. NO.	DESCRIPTION	PART NO.	QTY.
1	CAST CONCRETE LEG UNITS		2
2	METAL-FORM BENCH TOP		1
3	3/8"-13 X 1 1/2" HEX. HEAD BOLTS		4
4	3/8" FLAT WASHERS		4
5	3/8"-13 UNC THREADED INSERTS CAST IN		12
6			



PROPRIETARY AND CONFIDENTIAL
 THE INFORMATION CONTAINED IN THIS DRAWING IS THE SOLE PROPERTY OF Park Warehouse, LLC. 5301 North Federal Highway, Suite 140, Boca Raton, FL. ANY REPRODUCTION IN PART OR AS A WHOLE WITHOUT THE WRITTEN PERMISSION OF Park Warehouse, LLC. 5301 North Federal Highway, Suite 140, Boca Raton, FL. IS PROHIBITED.