



Parktastic 46" Round Portable Picnic Table

2 Seat Accessible – Installation Instructions

Model #: 766pt115





Parktastic 46" Round Portable Picnic Table

2 Seat Accessible – Installation Instructions

Model #: 766pt115

Parts, Hardware and Suggested Tools:

Unit	Common Description	Units Per Model
	Cross Brace - Round	1
	J Frame HDCP - R	2
	J Frame HDCP - L	2
	5/16-18 x 1 1/2" tap bolt w/black xylan	20
	5/16-18 nylock nut w/black xylan	20
	5/16 uss flat washer w/black ox	40
	#vc300-8 5/16" bolt size 1/2" lg vinyl cap	20
	38" Concave Seat - Expanded Metal	2
	46" Round Table Top - Expand Metal	1

Suggested Tools



Open Face Wrench



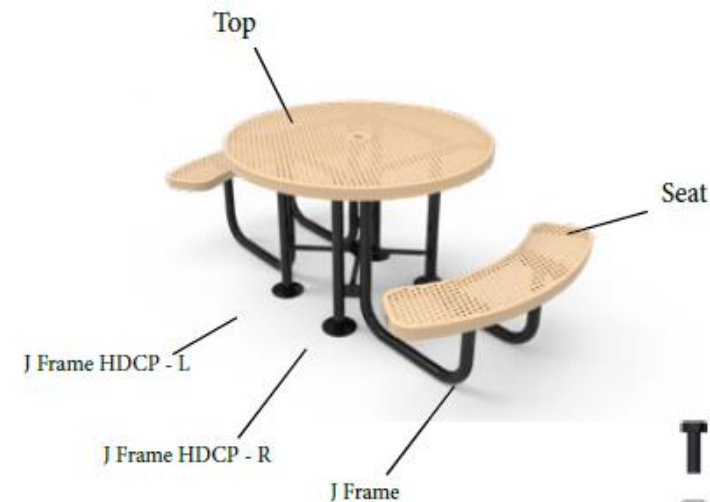
Socket Wrench



Tape Measure



Level



Bolt (HW01)



Frame Bolt (HW06)



Frame Nut (HW07)



Nut (HW02)



Washer (HW03)



Bolt Cap (HW04)



Parktastic 46" Round Portable Picnic Table

2 Seat Accessible – Installation Instructions

Model #: 766pt115

Specifications:

Top and Seat Material: Outer frame is made from 3/4" x 2" rolled form angle iron.

- Expanded Metal models - Inside material is 3/4" #9 Expanded Metal, Bracing is 1-1/2" Solid Steel flat bar. All MIG welded.
- Punched Steel models- Inside material is 12 gauge, 1/2" punched Steel. Bracing is 1-1/2" Solid Steel flat bar. All MIG welded.

Top and Seat Coating:

- ParkArmor Coating - This state-of-the-art coating will not chip, crack or peel. It doesn't have any drips or runs, and it's the most durable coating on the market. The ParkArmor coating comes with a 7 year Warranty and is available in 13 Different Colors.
- Thermoplastic - A Premium Polyethylene Coating, this coating comes with a 5 year warranty and is available in 9 different colors

Frames: Frames are made from 2" OD. Diagonal braces are made from 1" OD tubing. Both are made from pre-galvanized steel tubing

Hardware: All hardware is Xylan coating black hardware for extra protection and strength

Dimension: Round Picnic Table Top - 46" Diameter, Contoured Seats - 10" W x 38" L, Overall Dimension: 80" W x 46" L x 30" H

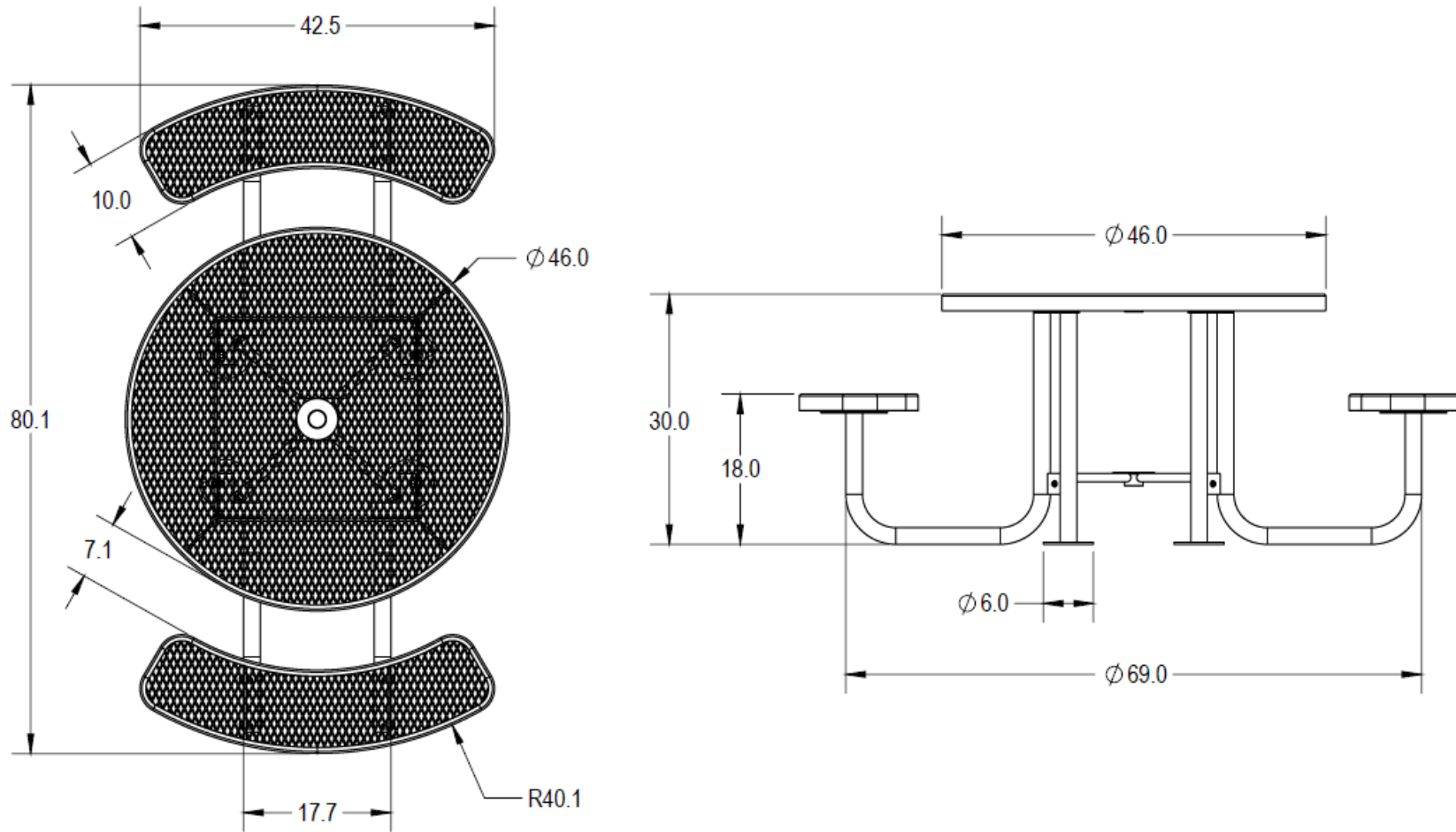


Parktastic 46" Round Portable Picnic Table

2 Seat Accessible – Installation Instructions

Model #: 766pt115

Specifications:





Parktastic 46" Round Portable Picnic Table

2 Seat Accessible – Installation Instructions

Model #: 766pt115

Assembly Instructions:

- 1. Lay Table Top upsided down (table bracing facing up) on a flat smooth surface. It is Recommended to cover ground under table top to prevent damage.**
- 2. Attach Frames to table top using provided hardware (1-bolt, 1-nut, and 2-wahers per hole). Table frames should sit inside bracing on table top. Hand tighten hardware at this time. Note: Make sure the Left HDCP frame goes on the Left and Right HDCP frame goes on the right.**
- 3. Attach Cross Braces to tabs in Center of J Frame using hardware provided (1-bolt, 1-nut, and 2-wahers per hole). Hand tighten hardware at this time.**
- 4. Flip Top and Frame assembly upright and attach seats to frames using hardware provided (1-bolt, 1-nut, and 2-wahers per hole. Hand tighten hardware at this time.**
- 5. Level Tops and Seats and use socket and open face wrench to fully tighten hardware. Place Bolt End Caps on bolt ends.**



Parktastic 46” Round Portable Picnic Table

2 Seat Accessible – Installation Instructions

Model #: 766pt115

Installation Safety:

Please Follow Installation Instructions provided by Manufacturer

It is recommended that Product is installed by an experienced installer

Product should be inspected at the time of Delivery, do not install any damaged or defective parts or products.

All Hardware for proper assembly (not installation) is provided. Use hardware that is included with this product.



Parktastic 46” Round Portable Picnic Table

2 Seat Accessible – Installation Instructions

Model #: 766pt115

Product Maintenance:

Maintenance inspection should be performed at a minimum of once a year.

Cleaning, when necessary can be performed with warm water and most house hold cleaners, avoid any harsh chemicals such as paint remover and acetone. Contact Manufacture before cleaning to determine if cleaning product is OK for use.

Any surface rust that may occur should be removed and repainted. Contact Manufacture for touch up paint or any other recommended paints.

Contact Manufacture for instructions on removing vandalism such as spray paint.

In the case that the Park Warehouse coating is damaged, contact Manufacture for instructions for repair.

Bolts and nuts should be check on a regular basis to maintain proper tightness.