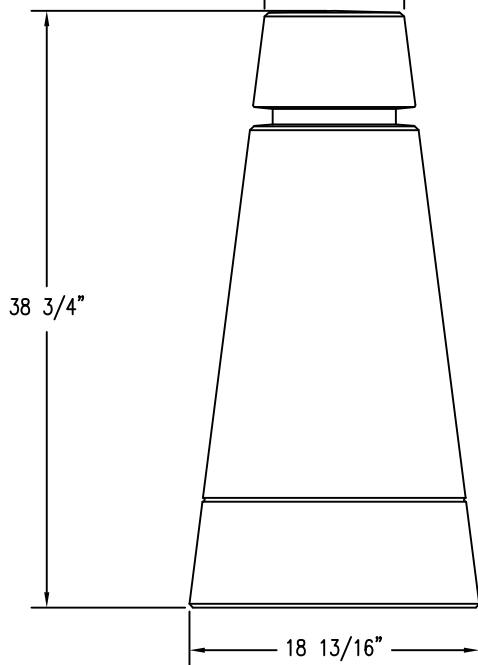
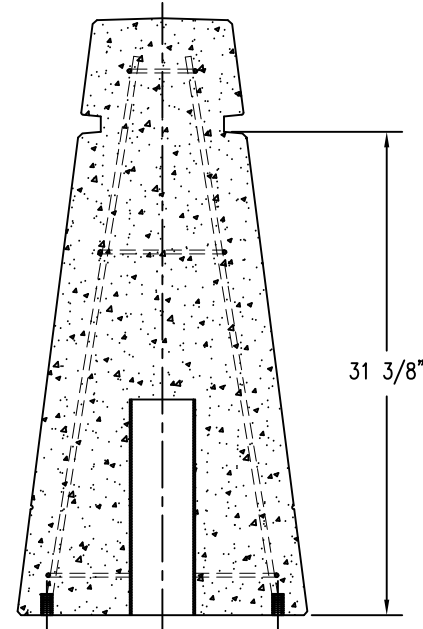


1 TOP VIEW

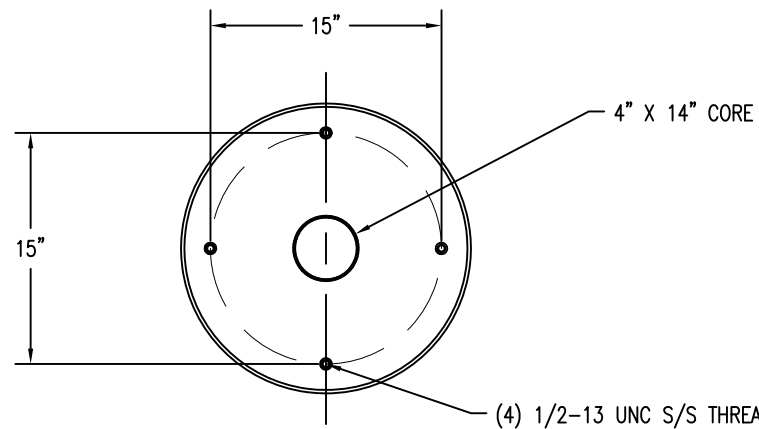
9 1/16"



2 ELEVATION VIEW



4 CROSS SECTION



3 BOTTOM VIEW

(4) 1/2-13 UNC S/S THREADED INSERTS, WELDED TO REBAR

PROPRIETARY AND CONFIDENTIAL
 THE INFORMATION CONTAINED IN THIS DRAWING IS THE SOLE PROPERTY OF Park Warehouse, LLC, 5301 North Federal Highway, Suite 140, Boca Raton, FL. ANY REPRODUCTION IN PART OR AS A WHOLE WITHOUT THE WRITTEN PERMISSION OF Park Warehouse, LLC, 5301 North Federal Highway, Suite 140, Boca Raton, FL, IS PROHIBITED.