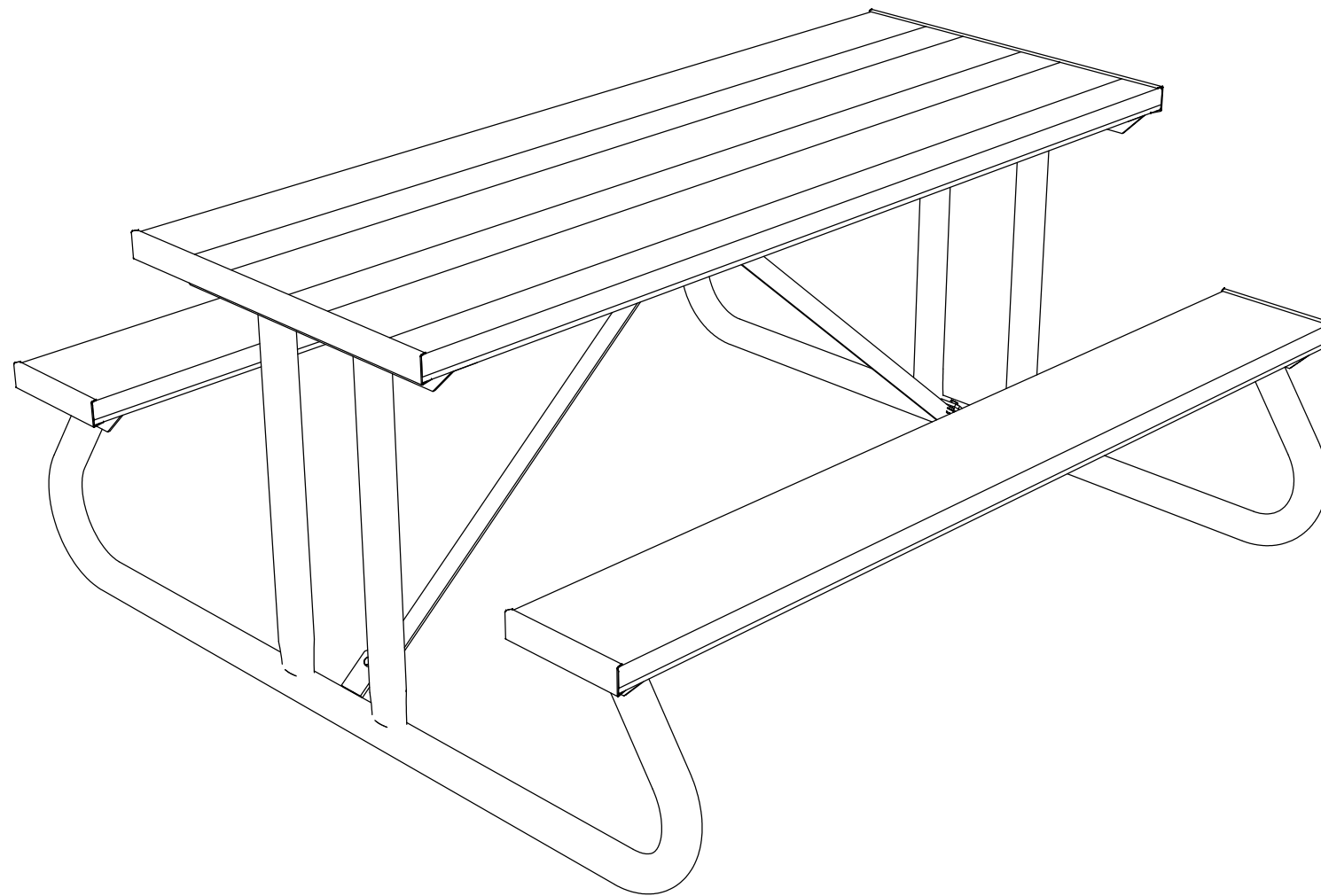
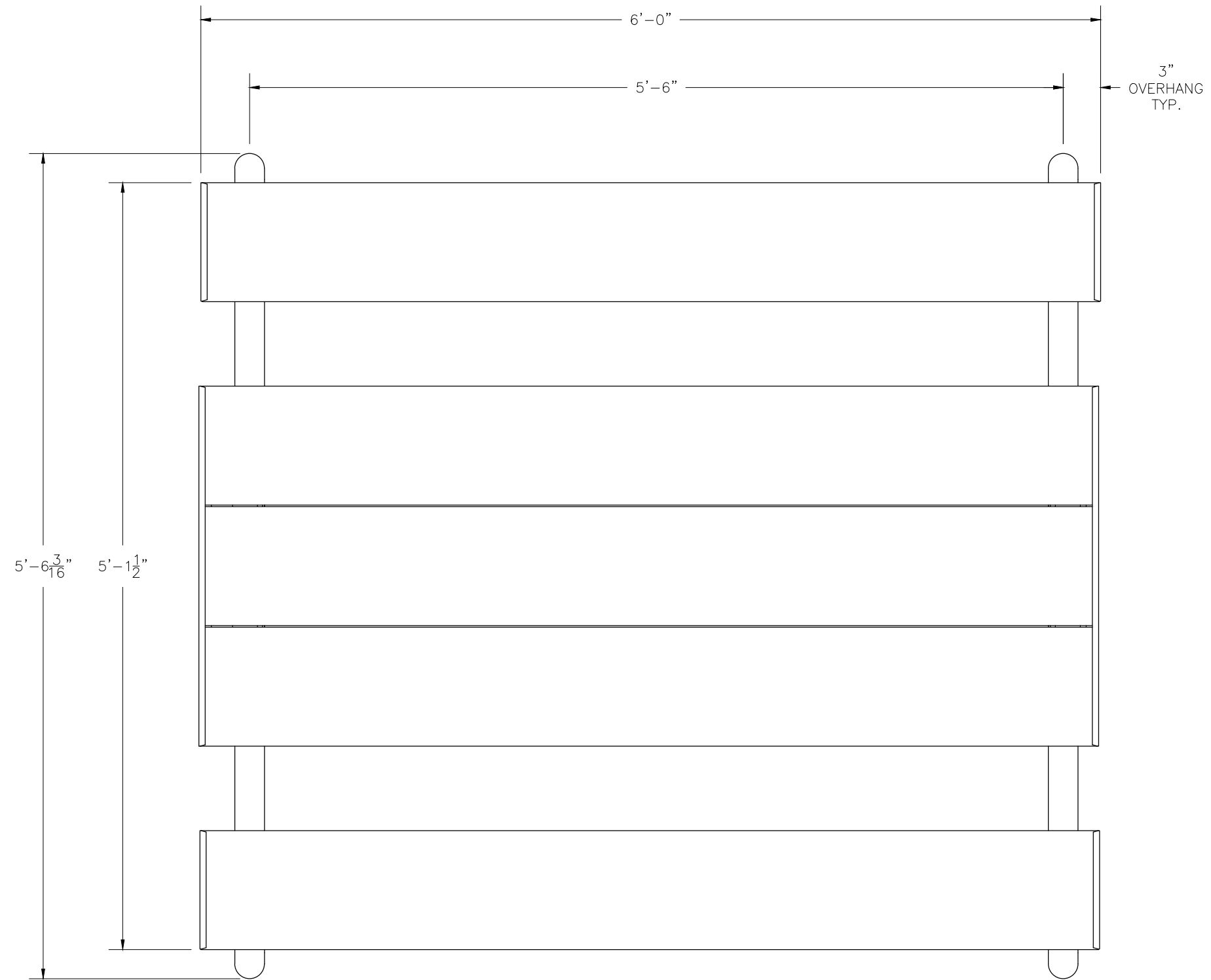


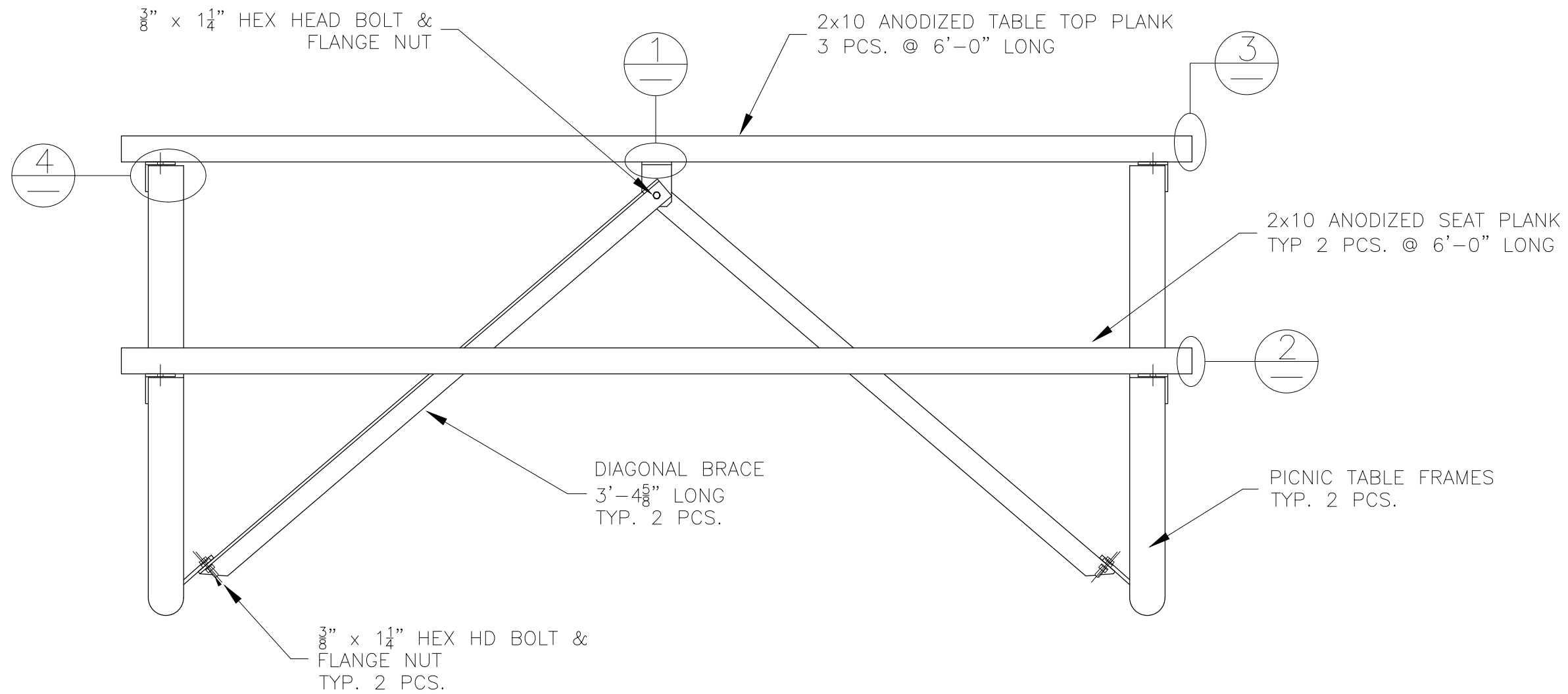


6'-0" GALVANIZED PICNIC TABLE

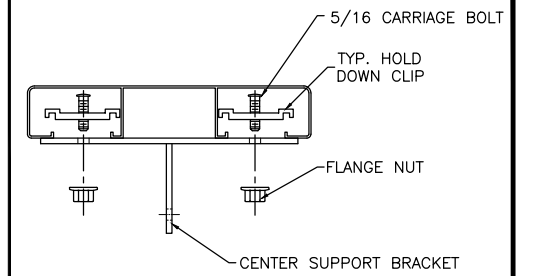
SKU: 335pt110-1





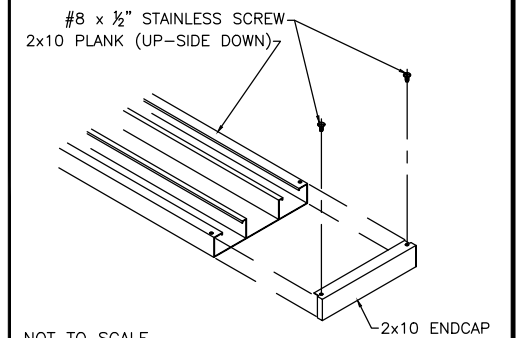


⊕ CENTER SUPPORT ATTACHMENT



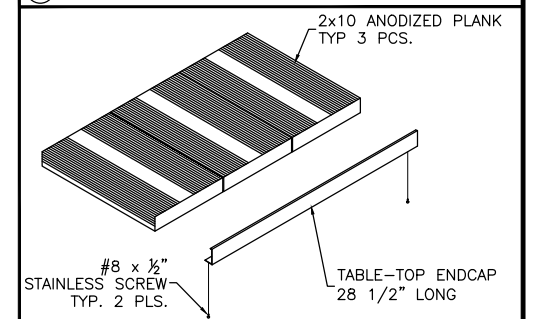
NOT TO SCALE

⊕ TYP 2x10 ENDCAP ATTACHMENT

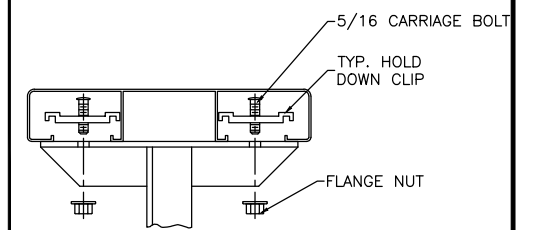


NOT TO SCALE

⊕ TABLE-TOP ENDCAP ATTACH.DETAILED



⊕ TYP 2x10 PLANK ATTACHMENT



NOT TO SCALE