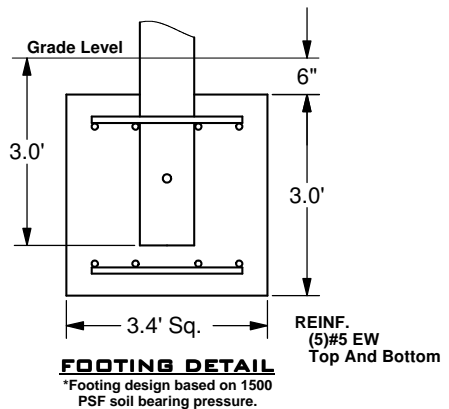
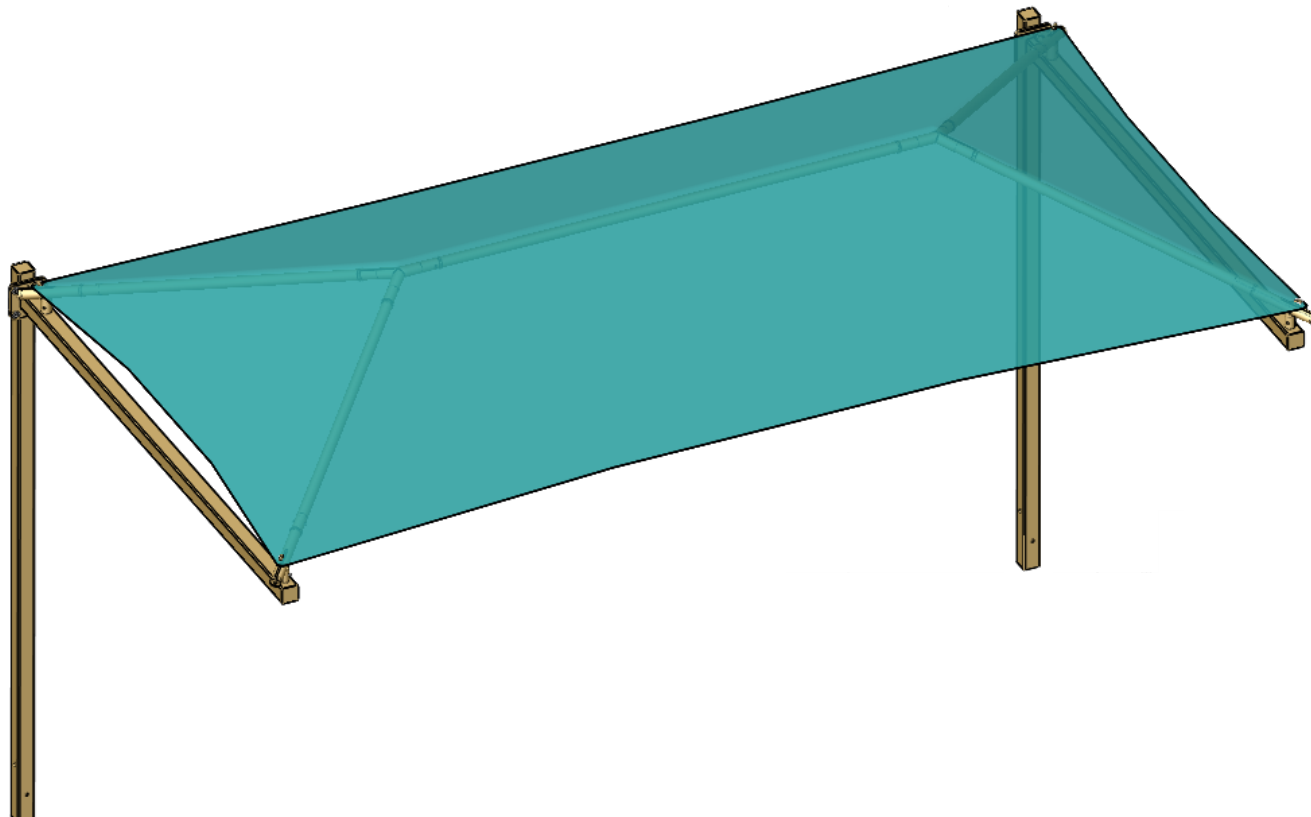
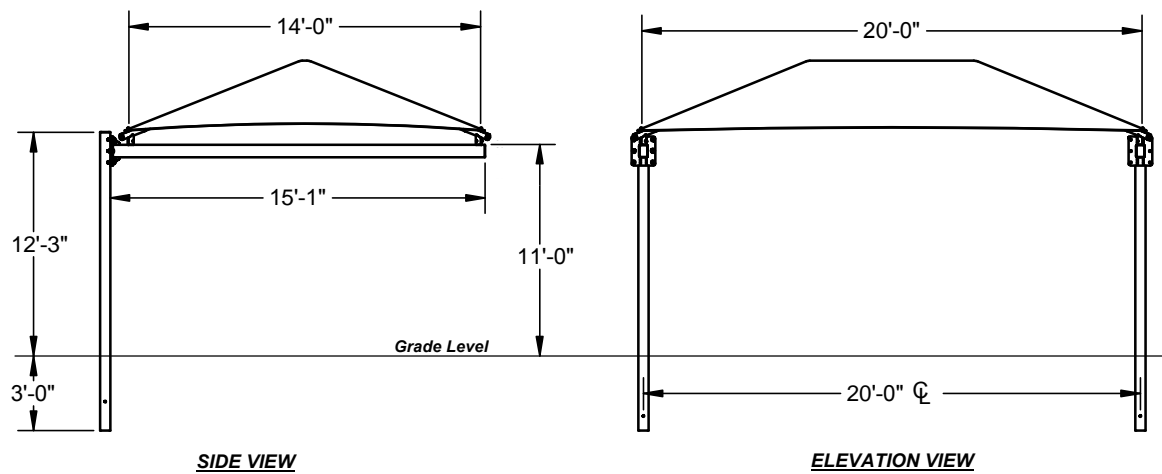


REF.#	PART DESCRIPTION	QTY.
1	6" x 8" Rect. EMB Flanged Cantilever	2
2	5" x 7" Rect. Beam Flanged With Caps	2
3	Ø2.88" Elbow	4
4	Ø2.88" Hip Rafter w/ Swaged End	4
5	Ø2.88" Ridge Pole w/ Swaged Ends	1
6	Ø2.88" Rectangle "Y" Connection	2
7	20' x 14' Fabric Cover With Cable Insert	1
8	Frame Hardware Kit	1



These drawings are for reference only and should not be used as construction details. Materials, fasteners, and foundations are subject to change if professionally sealed engineering drawings are required. Designed for 105 MPH Basic Wind Speed.