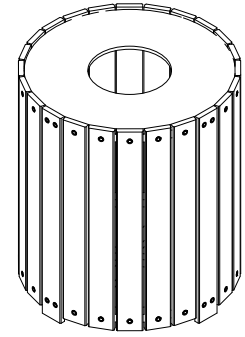


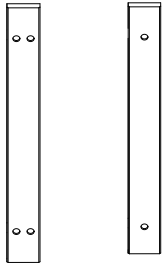


32 Gallon Standard Round Receptacle Assembly Instructions

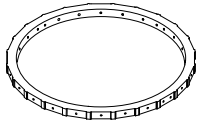


Tools for Assembly: Powered driver and 7/16 Socket Phillips Head Bit

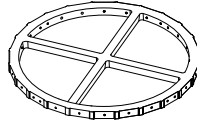
Components



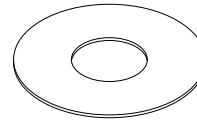
(4) 33" Planks
(20) 32" Planks



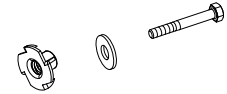
(1) Top Ring



(1) Bottom Ring



(1) Lid



(56) 1/4 Tee Nuts
(56) 1/4 SS Flat Washers
(56) 1/4 SS Hex Cap Screws

Step by Step Assembly

Before you begin: Check components to verify all are included. Assembly will require two people and must be performed on a level and smooth surface. Review all instructions steps prior to beginning assembly. Do not overtighten hardware as damage can occur.

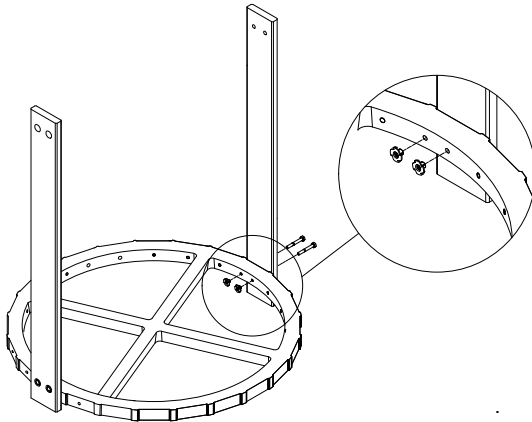


Illustration 'A'

Step 1

Place the bottom ring on a flat surface, align one (33") slat on the outside of the ring with the non routed edge towards the bottom. Insert a cap screw with a flat washer through both slat mounting holes and the pre-drilled holes in the bottom ring. Align a tee nut with the hole (prongs facing into the inside edge of the bottom ring), thread on to the cap screw and tighten, repeat for the other cap screw. Repeat assembly for the remaining three (3) longer slats with two (2) pre-drilled holes. See Illustration 'A'.

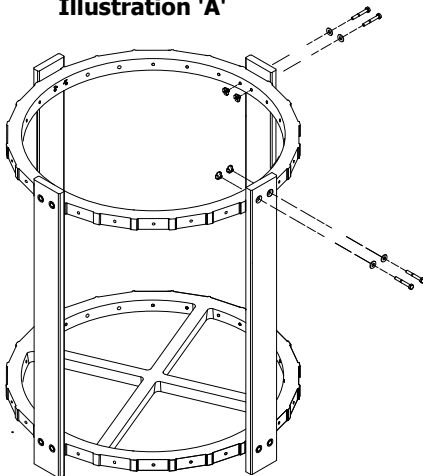


Illustration 'B'

Step 2

Place the upper ring inside the installed longer (33") slats. Align the pre-drilled holes in the ring with those in the slats. Attach the top ring with cap screws, flat washers, and tee nuts. See Illustration 'B'.

Step by Step Assembly Continued

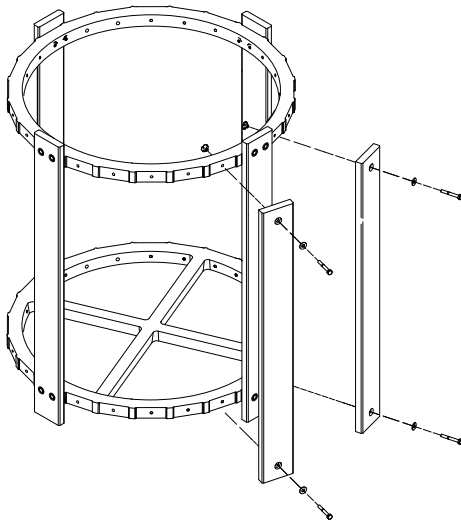


Illustration 'C'

Step 3

Place a short slat (32") flat against the top and bottom rings in the notched space. Align the pre-drilled holes and attach using cap screws, flat washers and tee nuts. Repeat for all slats. See Illustration 'C'.

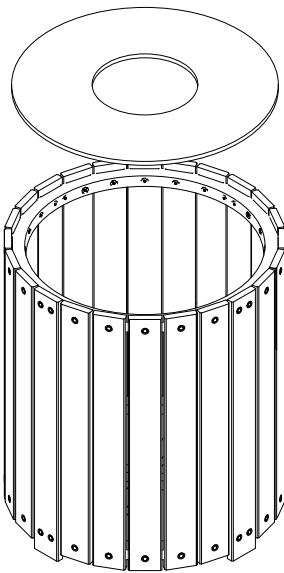


Illustration 'D'

Step 4

Insert the liner (not included unless ordered) and set the receptacle lid in place. See Illustration 'D'.

Cleaning Tips

The Manufacturer's products are durable and designed to last a lifetime, like most things that spend the majority of time outdoors, sometimes they need a little cleaning. In most cases, all product requires is mild dish soap, a bucket of warm water and a clean cloth. Apply the soapy mixture to scrub away the dirt and then rinse with water. If you have some stubborn dirt down in the grooves and divots, mix 1 part bleach to 2 parts water, apply with your clean cloth, scrub with a soft bristle brush if needed and then rinse.