

SKU: 622pt640

WARRANTY & TERMS

WARRANTY 5 Year Limited Warranty on Thermoplastic coated elements. Park Warehouse guarantees all items for one full year to be free of defects in workmanship or materials when installed and maintained properly. We agree to repair or replace, any items determined to be defective. Items specifically not covered by this warranty include vandalism, manmade or natural disasters, lack of maintenance, normal weathering or wear and tear due to public abuse.

Damages or loss in transit is the responsibility of the carrier, whether visible or concealed. It is the responsibility of the recipient to assure that the order is received complete. Before signing the delivery receipt, inspect the shipment immediately and completely. Note any damages or shortages on the bill of lading. Damage reports must be filed within 10 days. Park Warehouse is NOT responsible for damages or loss in transit. Title to all goods passes to the customer at the time of shipment. Park Warehouse will assist in filing claims if the freight arrangements were made by Park Warehouse at your request.

CANCELLATIONS AND RETURNS: Cancellations are only accepted with approval of Park Warehouse. No merchandise shall be returned without a Return Goods Authorization number which is issued by customer service. Any authorized merchandise must be carefully packed and received in saleable condition. A restocking charge of up to 25% will be applied to all returned goods when the error is not the fault of Park Warehouse. All returns must be shipped freight prepaid.

SAFETY WARNINGS & EQUIPMENT INSPECTION

- Owners and installers please note these safety warnings and make use of this checklist on a regular basis.
- Follow installation instructions when erecting equipment.
- Ground surfaces around equipment should be restored as needed. Concrete footings should never be exposed. Surface depth should comply with ASTM and CPSC specifications.
- Check for and repair damage caused by wear or vandalism, a major factor in injury causing situations.
- All protruding bolts should be covered or cut off and finished smooth. Sharp edges on pipes should be capped or removed. Check for bent, broken, or severely worn pipe, and replace.
- All equipment should be free of rust and repainted whenever necessary to deter rusting.
- We provide our customers with layout sheets and installation instructions. Please keep on file the specifications sheet that contains the listing of every part used.
- Never add components not intended for use with this product.
- Regular maintenance is necessary in this and all park and recreational equipment to insure the safety of the user.
- Note: Proper maintenance of equipment requires regular tightening of all bolts, nuts, and setscrews.
- Note: Regular checking of all parts, castings, etc. should be made. If a part is broken or worn, it should be replaced immediately.
- Check to be sure all fittings are tight and that bars and pipes do not move.
- Replace all worn S-hooks. S-hooks must be completely closed. Failure to close S-hooks can result in serious injury to the user. NEVER reuse S-hooks.
- Test for free movement of swing hanger and other moving attached parts.
- Check for worn chains and replace them.
- A soft resilient surface should be placed under all swings extending at least twice the height of the top rail both front and back.

HARDWARE



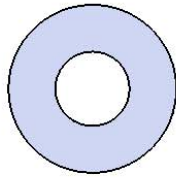
5/16" x 1-1/4"
Lag Bolt



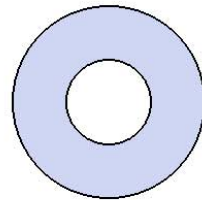
3/8" x 1"
Machine Bolt



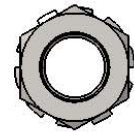
3/8" x 2"
Flat Head Bolt



5/16" Flat Washer

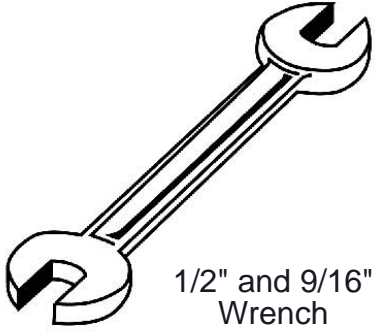


3/8" Flat Washer



3/8" Kep Nut

TOOLS REQUIRED



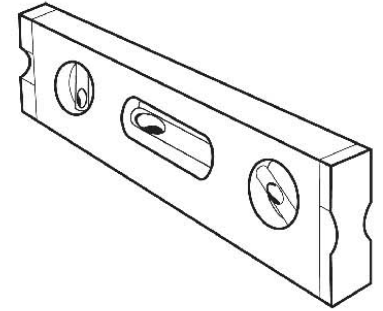
1/2" and 9/16"
Wrench



1/2" and 9/16"
Socket Wrench



Tape Measure



Level

PRODUCT SPECIFICATIONS

64-R6 PORTABLE PICNIC TABLE

Seats & Top: 2x4 planks are made from a minimum of 96% post-consumer or post-industrial recycled plastic. Contains UV stabilizers to prevent fading. end Planks are made from 1-1/2" x 3-1/2" steel oval planks.

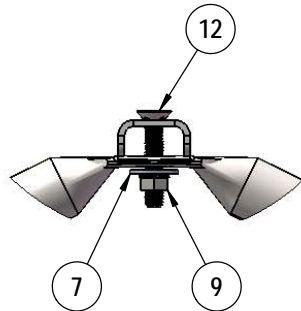
Frame: 2-3/8" x 12 gauge structural steel tubing. Seat and Top supports are fabricated from 3/16" angle. All electrically MIG welded.

Frame Coating: TGIC electrostatic powder coated application oven cured, or hot dipped galvanized after fabrication.

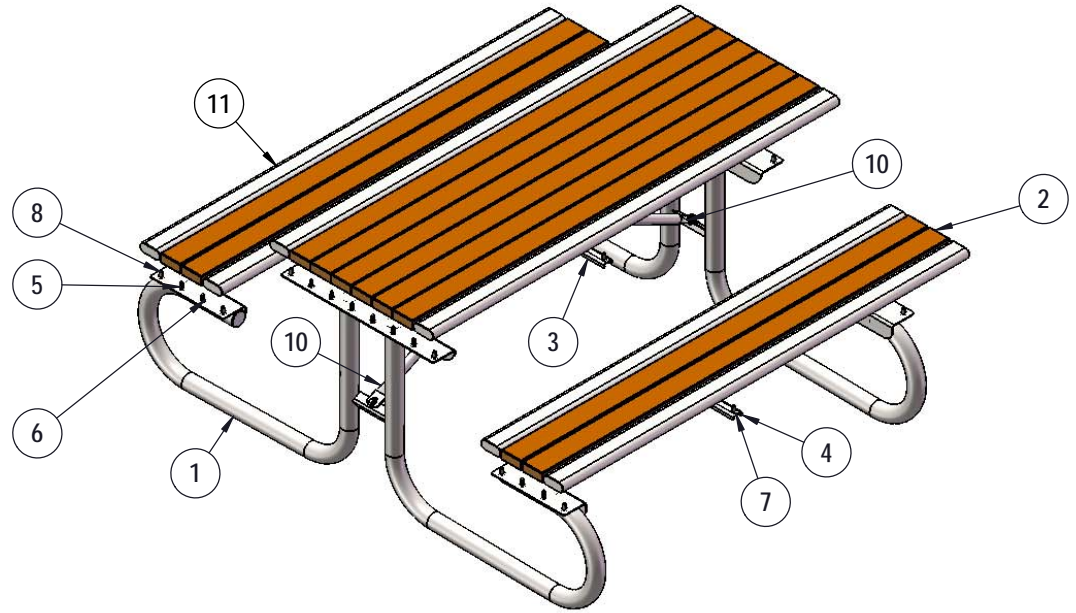
Hardware: All fasteners are zinc coated.

Overall Dimensions: 30" H x 81-5/8" D x 72" W. Seat is 18" high.

COMPONENTS



NOTE: Flat Head bolt mounts between Recycled Planks and Center Channel.



ITEM NO.	PartNo	DESCRIPTION	QTY.
1	P-01-01-0393	64 Series Leg	2
2	BRN72-2x4-LB, CDR72-2x4-LB, GRN72-2x4-LB, or GRY72-2x4-LB	2 x 4 Brown Recycled Bench Plank-Lag Bolts (6'), 2 X 4 Cedar Recycled Bench Plank-Lag Bolts (6'), 2 x 4 Green Recycled Bench Plank-Lag Bolts(6'), or 2 x 4 Grey Recycled Bench Plank-Lag Bolts (6')	10
3	P-01-01-0675	63/64 Series Center Channel	1
4	P-01-01-0674	63/64 Series Seat Channel	2
5	33-05-0034	5/16" x 1" Flat Head Bolt, SS	30
6	33-02-0007	5/16" x 1" Flat Washer	30
7	33-02-0008	3/8" Flat Washer (SS)	23
8	33-06-0056	3/8" x 1" Machine Bolt (SS)	20
9	33-03-0013	3/8" Kep Nut (SS)	3
10	P-01-01-0425	6' 64 series table brace	2
11	01-01-0664	6' Oval Tube	6
12	33-06-0084	3/8" x 2" Flat Head Bolt	1

STEPS:

1.) Attach the 6' Recycled Planks and Oval Tube Planks to the 64 Frames using specified hardware.

2.) Attach the 64 Center Channel to the Recycled Planks.

NOTE: the Flat Head Bolt is between the Center Channel and Recycled Planks.

3.) Attach 64 Series Table Braces to the 64 Frames and Recycled Planks.

OVERALL DIMENSIONS

