

Push- Up

SKU: 622ft140

ActionFit Traditional

PARTS LIST		
DESCRIPTION	QTY	PART NUMBER
END PUSH-UP UPRIGHT (4'-6" [137.16cm])	1	148002
CENTER PUSH-UP UPRIGHT (4'-6" [137.16cm])	1	148001
END PUSH-UP UPRIGHT (4'-0" [121.92cm])	1	148003
RUNG (3'-0" [91.44cm])	2	147815
MOUNTING PLATE	1	309644
HARDWARE COMPLETE	1	403541
PUSH-UP SIGN	1	403560*
1/2" ANCHOR ROD	3	135038*
1/4" x 4" P.B.H.C.S. w/Patch	2	812026*
1/4" FLAT WASHER (5/8" O.D.)	2	817408*
3/8" x 1 1/4" B.H.C.S.	4	811051*
3/8" LOCKWASHER	4	817334*

*Unless Otherwise Specified, All Units of Measure are Each
Items listed below Hardware Complete line are included with Hardware Complete Number*

Warning: During Installation, Hardware And Small Parts Are Choking Hazards For Young Children. Store Unused Parts Appropriately Until Assembly Is Completed. Once Assembly Is Completed, Remove Any Unused Parts From The Play Environment And Dispose/Save Them In A Secure Location.

Note: Peen Tee-Nuts and Flatwashers to match radius of pipe after assembly is complete.

Note: Loctite (supplied by others) should be used on any non-patch hardware.

SPECIFICATIONS:

UPRIGHTS: Shall be fabricated of 3-1/2" O.D. (13 gauge) galvanized pipe, cast aluminum cap, self-sealing pop rivets and 3/8" inserts.

RUNG: Shall be an all-welded construction fabricated of 1-5/16" O.D. galvanized pipe and 3/16" x 1-3/4" C.R. steel mounting plates.

SIGN: 1/2" thick solid color D.H.P.L.

FINISH: Uprights and Rung Assembly shall all have a powder coat finish.

HARDWARE: All nuts, bolts, screws, inserts, and lockwashers used in the assembly of all play equipment, shall be stainless steel, yellow dichromate plated steel, blue-coat plated steel, mechanically galvanized or powder coated/yellow dichromate plated steel. All primary fasteners shall be 300 series stainless steel. Fasteners with yellow dichromate treatment have an electro deposited, 99.9% pure zinc substrate applied from a specially formulated solution sealed with a yellow dichromate top coat designed to work in conjunction with the zinc plating. Yellow dichromate has a 320% longer life to white corrosion and 275% longer to red corrosion than does hot-dip galvanizing.

INSTALLATION INSTRUCTIONS:

1. Before starting assembly, review the General Installation Instructions at the beginning of this Installation Guide and the Typical Assembly Details in the back.
2. Determine proper location for Push-Up. Refer to Equipment Layout Plan provided and any applicable project site drawings.
3. Dig footings for uprights. Maintain footing spacing, size and depth as indicated on the Plan View. Allow for depth of desired Finished Surface. Refer to Elevation View.
4. Attach the two rung assemblies to the three uprights with 3/8" x 1 1/4" B.H.C.S. and 3/8" Hex Nut using Detail E02.
5. IMPORTANT: Use the Sign Plate for a template & mark the holes 8" down from the top of the End Push Up Upright. Field drill 3/8" (2) holes through entire upright. See Elevation View for correct height for holes.
6. Attach Push-Up Sign & Mounting Plate to Upright 144" LG using 1/4" x 4" P.B.H.C.S. w/ Patch and 1/4" Flat Washer (5/8"O.D.). See detail 331.
7. Position Push-Up assembly in footings; align, plumb, and brace supports in place. Pour concrete as shown on Detail Elevation View. Be sure to hold top of concrete footing 10" [25.40cm] down from the Finished Surface. Slope top of concrete for proper drainage.
8. Allow concrete a minimum of 48 hours to cure and harden before using Push-Up Bar.

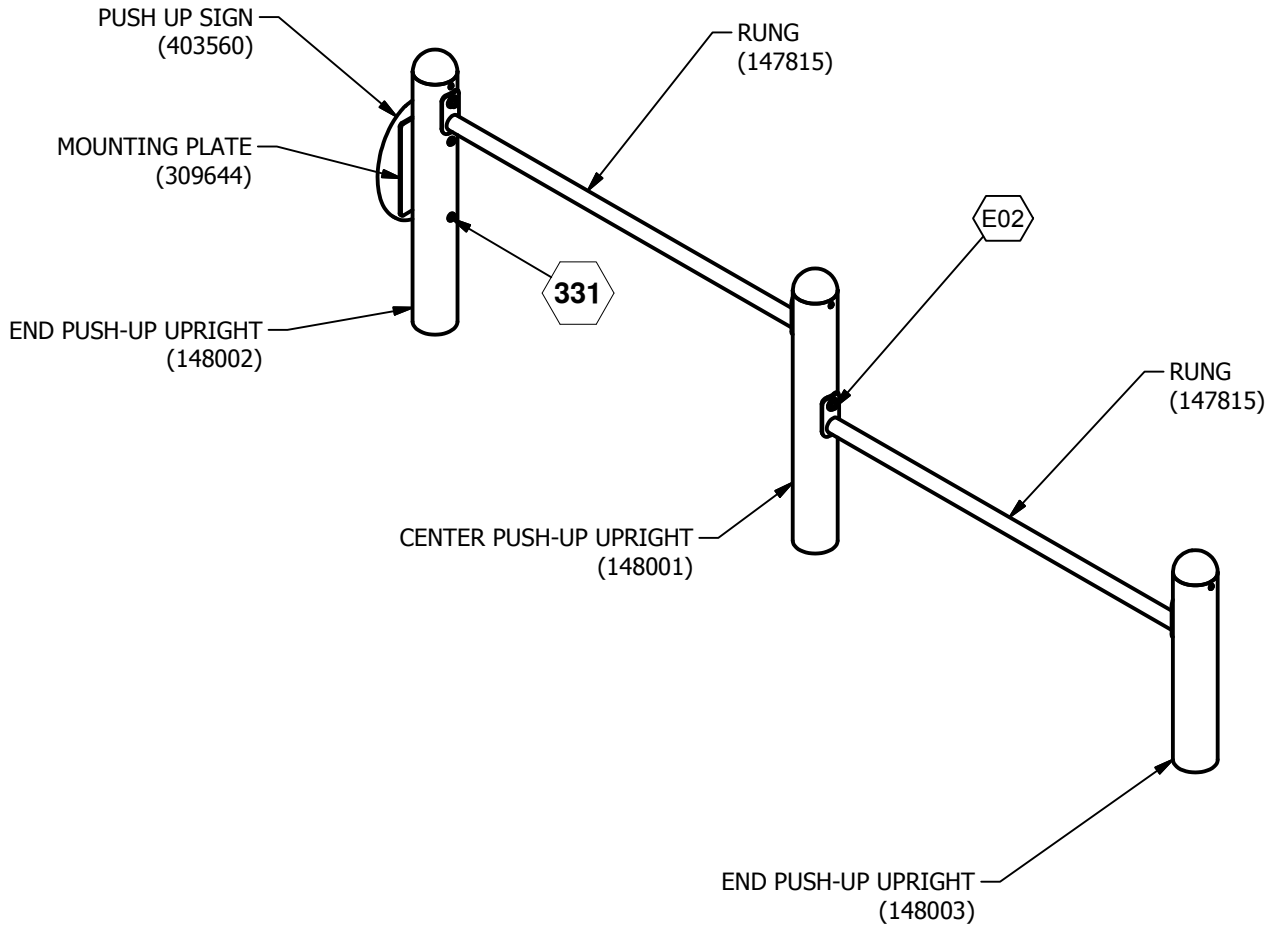
MAINTENANCE PROCEDURE:

Periodically check hardware for tightness, and tighten as necessary. Always check parts for breakage or wear, and immediately put equipment out of service until any faulty parts are repaired or replaced. Check all decks for Plastisol coating peeling and touch up with Plastisol if necessary. Check for obstructed holes on deck, clean if necessary. Periodically check resilient surfacing for appropriate depth, and remove extraneous materials that could cause injury, infection, or disease. Maintain detailed installation, inspection, maintenance, and repair records for each public-use playground equipment.

Push- Up

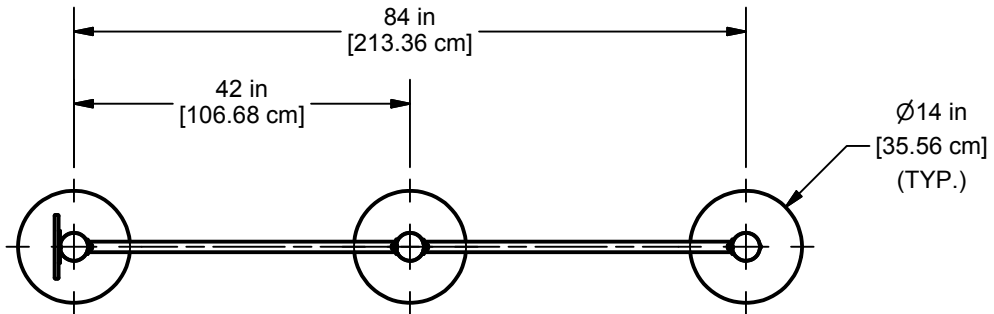
SKU: 622ft140

ActionFit Traditional



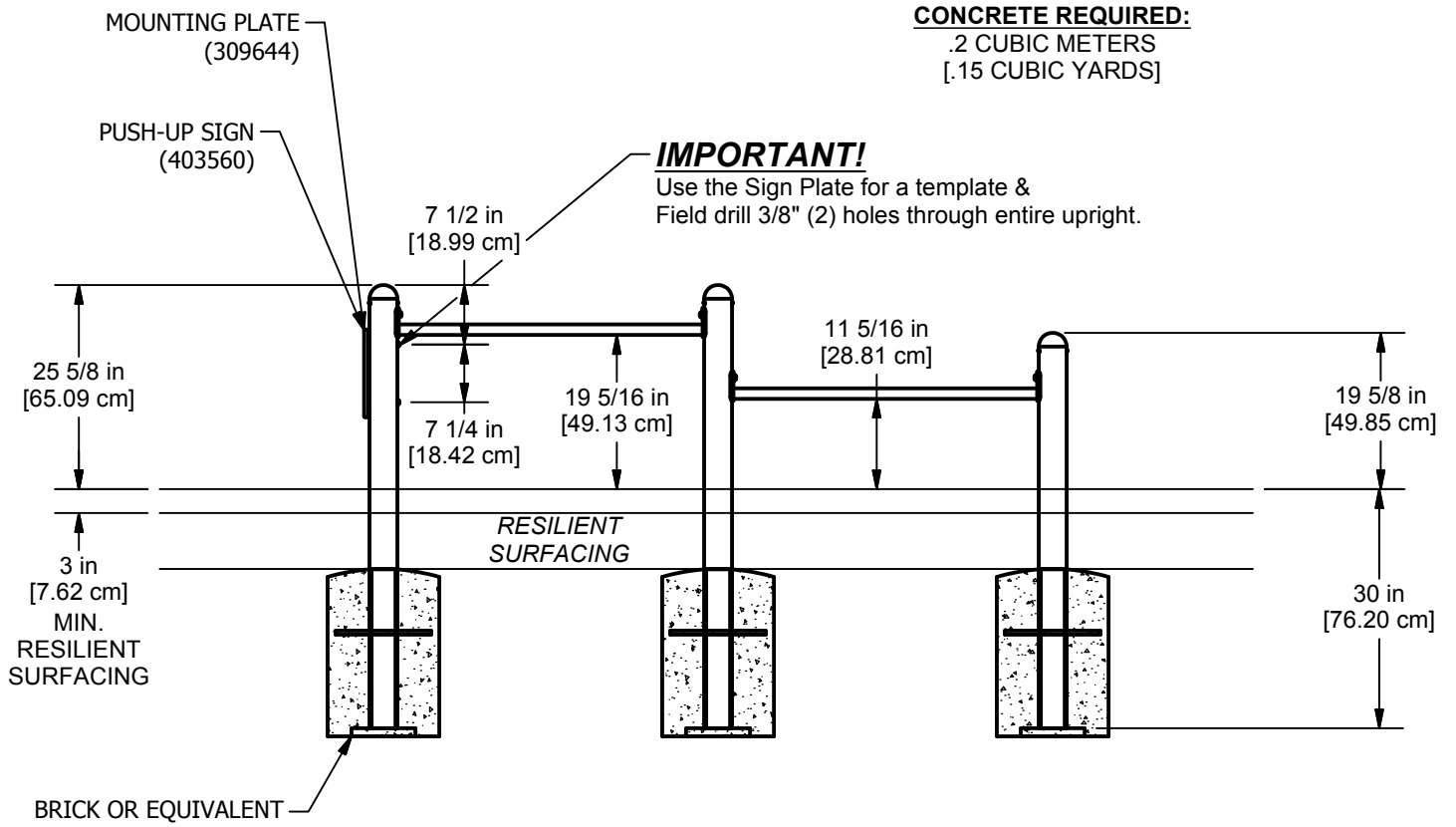
FINISHED ASSEMBLY

 = INSTALLATION DETAIL



PLAN VIEW

CONCRETE REQUIRED:
.2 CUBIC METERS
[.15 CUBIC YARDS]



ELEVATION VIEW

