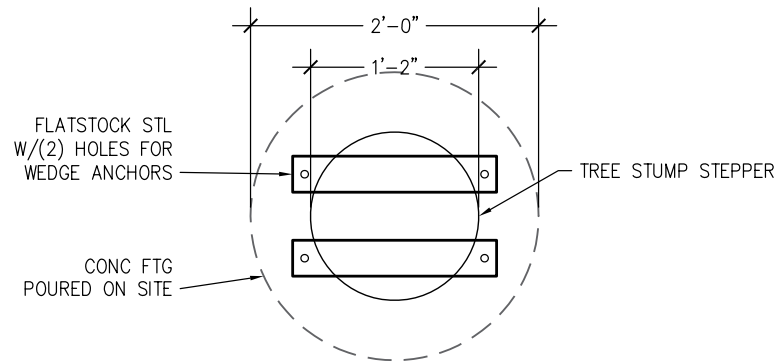
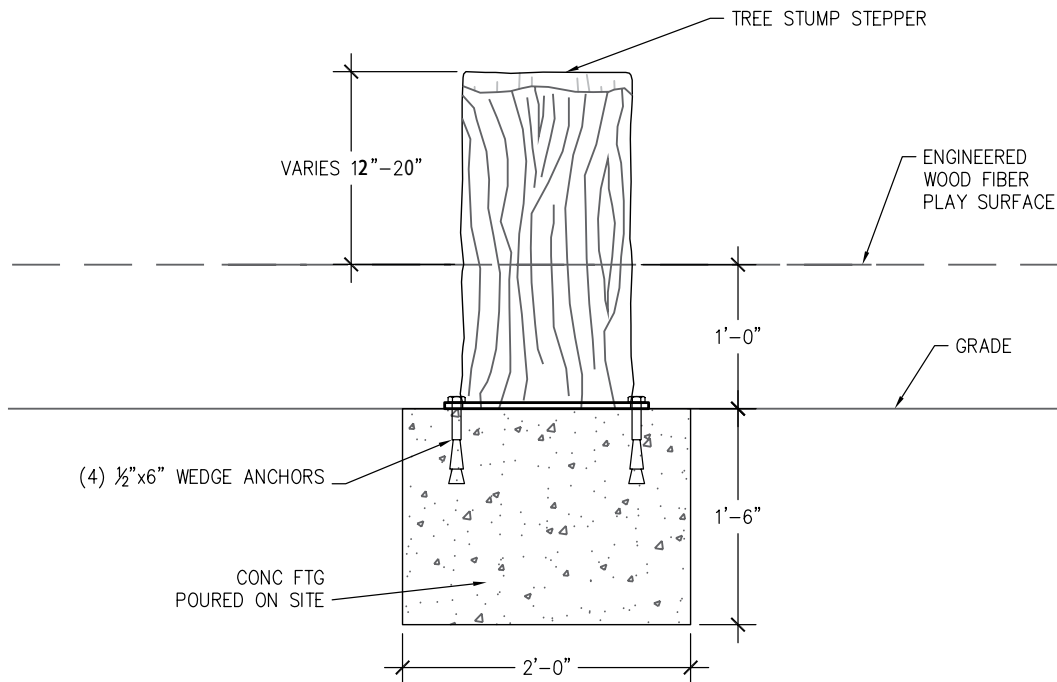


PLAN



ELEVATION



Nature Bark Tree Stumps

SKU: 622dp275



INSTALLATION INSTRUCTIONS

Tools Required:

- Skidster *or* Fork Lift Truck
- Shovel /Auger
- Nylon lifting strap, minimum 8' length
Note: Rated for 500 lbs. minimum
- Concrete
Note: Rated for 2,500 psi minimum
- Hammer Drill with 1/2" - 6" Drill Bit

Weight: 100-200 lbs. per Tree Stump Stepper

Step 1: Thoroughly inspect all pieces before unloading for damages incurred during shipping.

Step 2: Establish layout of Tree Stump Stepper and dig footing holes.

Step 3: Fill footing with concrete and make sure top surface is flat and level. Let harden according to the manufacturers recommended cure time.

Step 4: Once concrete is dry, carefully place Tree Stump Stepper onto footing. Verify that the play piece is centered on the footing and level. Use hammer drill to drill 1/2" holes 5" into the concrete.

Step 5: Once Tree Stump Steppers have been installed, remove all remaining packaging materials and inspect piece for blemishes. Use included touch-up kit as needed.

GENERAL NOTES

- Due to variables in local soil conditions, footing sizes may vary to meet local codes.
- Actual on-site conditions may vary and may require modifications to installation method.
- Use care and caution while handling play pieces. Make sure all points of contact are protected from lifting straps or other machinery that may damage the piece.
- Bracing materials may be required during installation.

