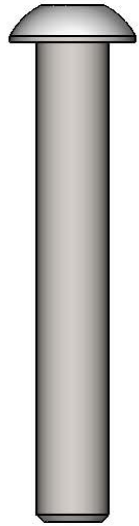


SKU: 622be600-2

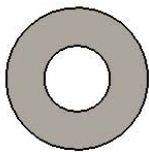
SAFETY WARNINGS & EQUIPMENT INSPECTION

- Owners and installers please note these safety warnings and make use of this checklist on a regular basis.
- Follow installation instructions when erecting equipment.
- Ground surfaces around equipment should be restored as needed. Concrete footings should never be exposed. Surface depth should comply with ASTM and CPSC specifications.
- Check for and repair damage caused by wear or vandalism, a major factor in injury causing situations.
- All protruding bolts should be covered or cut off and finished smooth. Sharp edges on pipes should be capped or removed. Check for bent, broken, or severely worn pipe, and replace.
- All equipment should be free of rust and repainted whenever necessary to deter rusting.
- We provide our customers with layout sheets and installation instructions. Please keep on file the specifications sheet that contains the listing of every part used.
- Never add components not intended for use with this product.
- Regular maintenance is necessary in this and all park and recreational equipment to insure the safety of the user.
- Note: Proper maintenance of equipment requires regular tightening of all bolts, nuts, and setscrews.
- Note: Regular checking of all parts, castings, etc. should be made. If a part is broken or worn, it should be replaced immediately.
- Check to be sure all fittings are tight and that bars and pipes do not move.
- Replace all worn S-hooks. S-hooks must be completely closed. Failure to close S-hooks can result in serious injury to the user. NEVER reuse S-hooks.
- Test for free movement of swing hanger and other moving attached parts.
- Check for worn chains and replace them.
- A soft resilient surface should be placed under all swings extending at least twice the height of the top rail both front and back.

HARDWARE

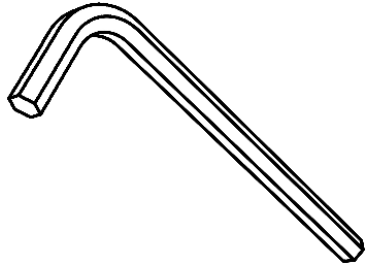


3/8" x 2.5" Allen
Button Head Bolt

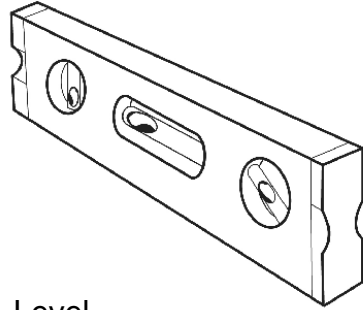


3/8" Flat Washer

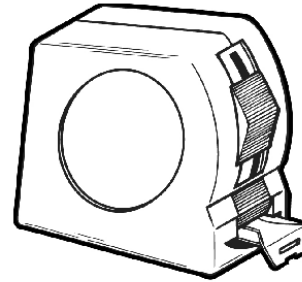
TOOLS REQUIRED



Allen Wrench



Level



Tape Measure

PRODUCT SPECIFICATIONS

622be600-2

BENCH WITH BACK

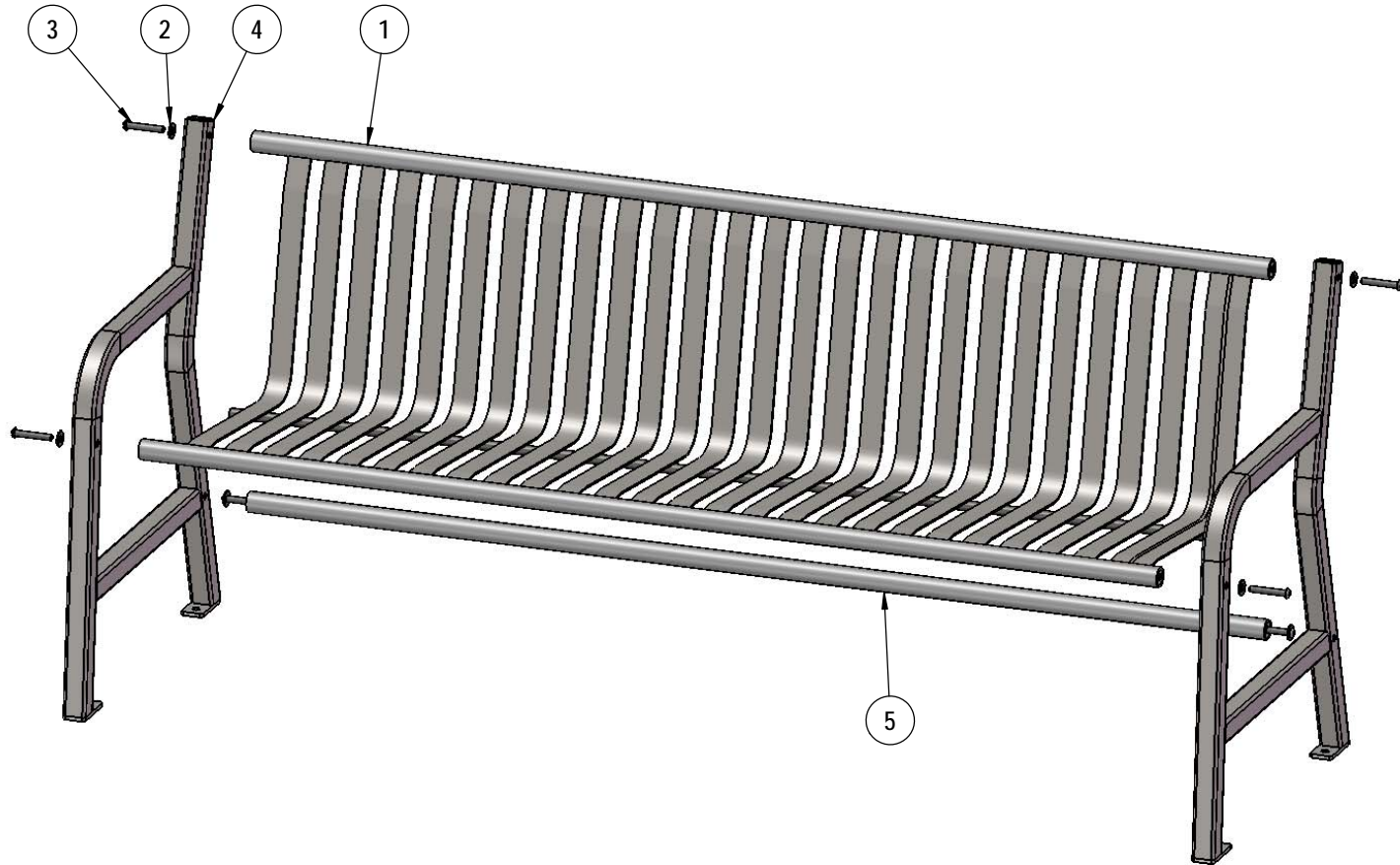
Seats: Seats are fabricated from 1-1/2" x 1/4" flat steel strips. Reinforced with a 5/8" thick support rod. End rods are created from a 1" pipe. Legs and arms are created from 1-1/2" x 1-1/2" x 12 gauge square tubing. Mounting plates shall be 1-1/2" x 2-1/2" x 1/4". All electrically MIG welded.

Coating: Steel is sandblasted to near white condition. Then Coated with electrostatic powder coat, oven cured.

Dimensions: 6' bench with back. Seat height is 18-1/2" from the ground to the top of the seat. The overall dimensions are 72" x 33-1/4" x 24-1/2"

COMPONENTS

Attach the 96 legs to the seat and support bar using the specified hardware.



ITEM NO.	PartNo	DESCRIPTION	QTY.
1	01-01-0475	Slat Seat 6' - Formed with back	1
2	33-02-0002	3/8" Zinc Plated Washer	6
3	33-06-0093	3/8"-16 x 2-1/2" Button Head Bolt (SS)	6
4	01-01-0474	Leg (w/back)	2
5	01-01-0494	6' Support Bar	1

OVERALL DIMENSIONS

