

# ECHELON HALF HEX COLLECTION

601tr100



U.S. Pat. No. D814,773

601tr100-4



U.S. Pat. No. D814,773

601tr100-6

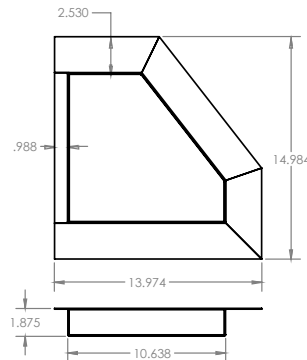
This extension of the Echelon Collection features a unique, angular design to add visual interest to any space.

## Features and Benefits

- Indoor satin stainless steel receptacles with black anodized aluminum trim for trash & recycling
- Unique design features multiple 38° and 52° angles
- Locking side door access for easy serviceability
- Rigid plastic liners meet UL-94 Flammability Standard
- High end graphics kits feature satin aluminum plates with color silk screening to denote 7 waste streams
- ASH/TRASH version available



Graphics Kit



Ash Cup Dimensions

## REPLACEMENT PARTS

Aluminum Decal Kit

Replacement Keys



601tr100-3	
32	Gallons
31"	Length
18"	Width
34.25"	Height
90	Weight (lbs)
Ships on Pallet	

601tr100-4	
32	Gallons
31"	Length
18"	Width
34.25"	Height
90	Weight (lbs)
Ships on Pallet	

601tr100-5	
32	Gallons
31"	Length
18"	Width
34.25"	Height
90	Weight (lbs)
Ships on Pallet	

601tr100-6	
32	Gallons
31"	Length
18"	Width
34.25"	Height
90	Weight (lbs)
Ships on Pallet	

601tr100-2	
32	Gallons
31"	Length
18"	Width
34.25"	Height
90	Weight (lbs)
Ships on Pallet	